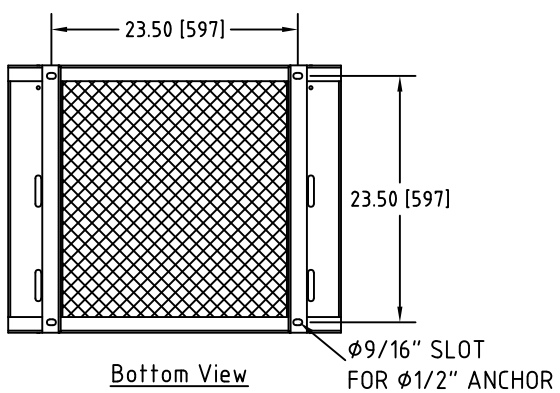
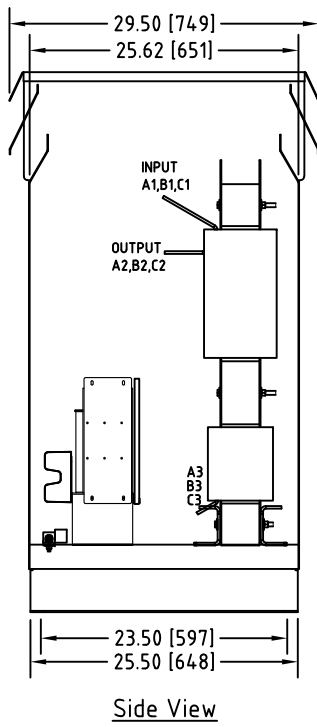
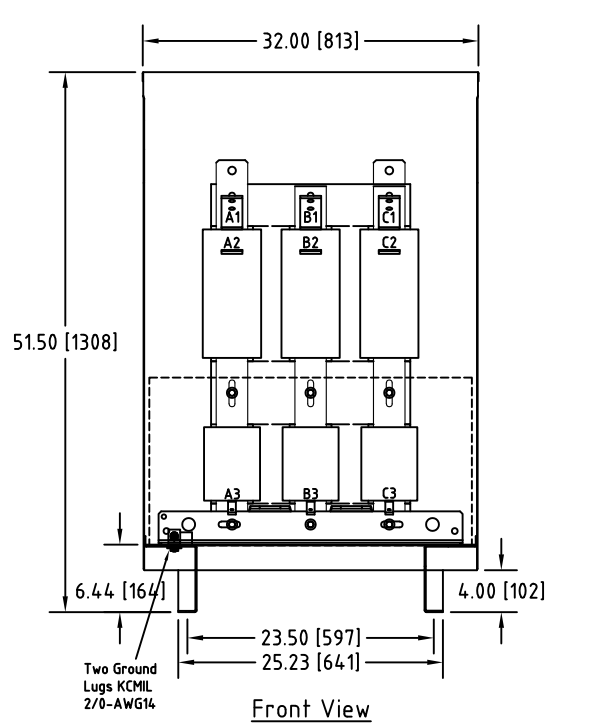
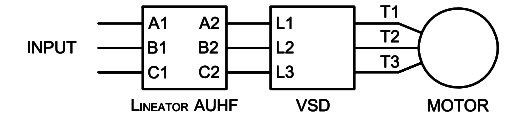


Rev. No.	Revision Note	Date	By	Checked
A17	REVISED REACTOR DESIGN, CAPACITOR DESIGN	24-JUN-2020	CG	BDK
A18	REVISED REACTOR BRACKET STYLE	07-MAY-2021	CG	BDK



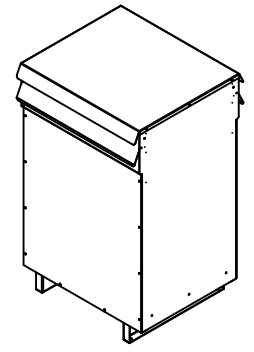
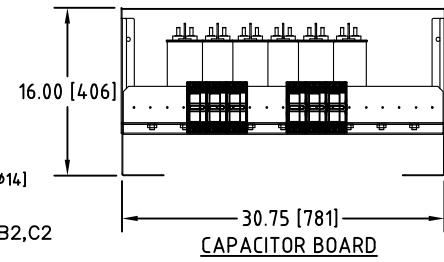
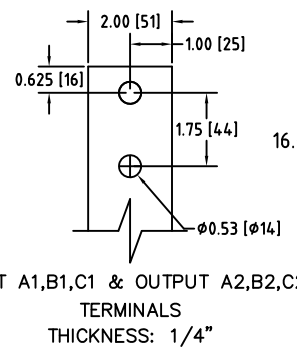
Connection Diagram



UNIT SPECIFICATIONS				INPUT	OUTPUT	APPROX. WT
HP [kW]	PHASE	VOLTS	Hz	AMPS	kW	lb [kg]
400 [315]	3	480	60	470	349	900 [407]

NOTES:

- Customer is responsible for installation to meet all national and local electrical codes and other applicable electrical safety authorities.
- Type 3R Enclosure requires only front access but minimum 6" clearance should be provided at rear for proper ventilation..



Isometric View

MIRUS International Inc. 31 Sun Pac Boulevard, Brampton, ON, Canada L6S 5P6
Tel: (905) 494-1120 Fax: (905) 494-1140 Toll Free: 1-888-TO MIRUS

Unless otherwise specified, dimensions are in inches and [mm].	Drawn By BW	Date Created 03-Dec-07	Checked by YM	Approved by - date YM-03-Dec-07	Scale NTS
The information contained herein is the sole property of MIRUS International Inc. Any form of reproduction, distribution and/or disclosure of this information, all or in part, is strictly prohibited without the express written consent of MIRUS International Inc.			Title 400 HP, 480 V, 60 Hz LINEATOR™ AUHF (Type-3R)		
			Filename AUHF-400-480-60-D-E1-A18	Revision A18	Sheet 1/1