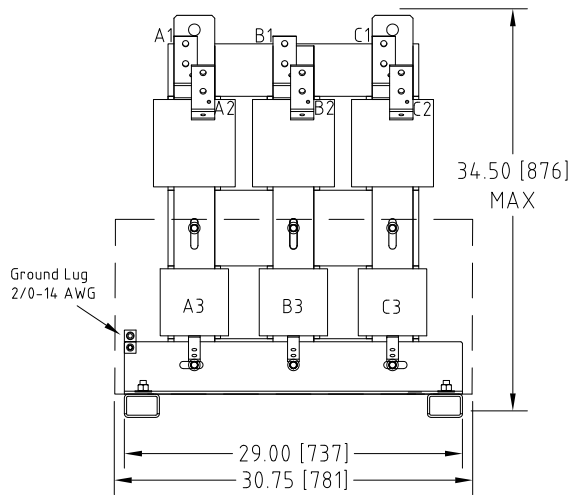
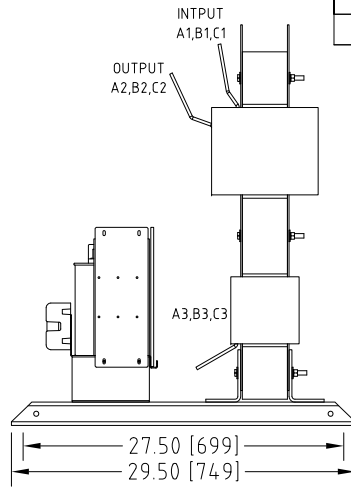


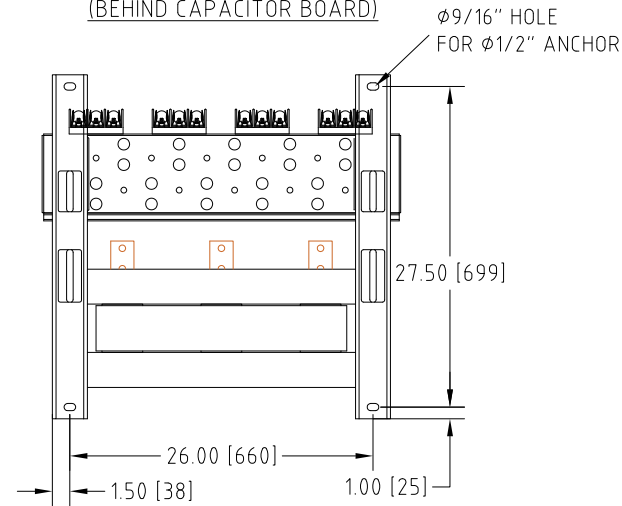
Rev. No.	Revision Note	Date	By	Checked
A14	REVISED OPEN STYLE FOOT BRACKET	06-SEP-2019	CG	AH
A15	REVISED MAGNETICS DESIGN	04-DEC-2020	CG	BDK



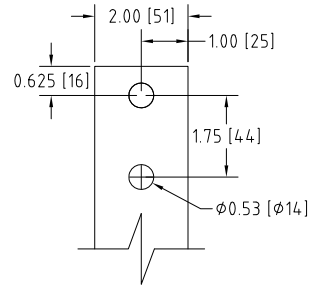
FRONT VIEW
(BEHIND CAPACITOR BOARD)



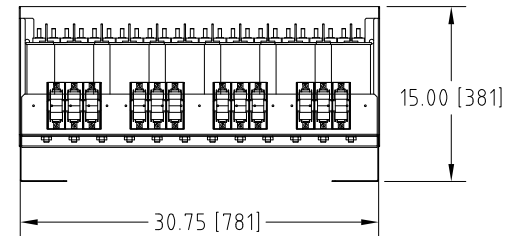
SIDE VIEW



BOTTOM VIEW

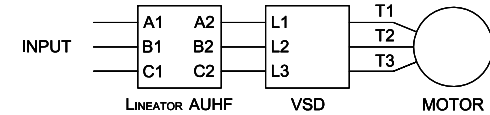


Input A1,B1,C1 & Output A2,B2,C2
TERMINALS
THICKNESS: 1/4"



Capacitor Board

Connection Diagram



UNIT SPECIFICATIONS				INPUT	OUTPUT	APPROX. WT
HP [kW]	PHASE	VOLTS	Hz	AMPS	kW	lb [kg]
400 [315]	3	600	60	375	349	720 [256]

NOTES:

- Customer is responsible for installation to meet all national and local electrical codes and other applicable electrical safety authorities.
- Customer is responsible for proper cooling of filter components. Allowed ambient: Maximum 60°C, Minimum -40°C. A minimum clearance of 2 inches must be allowed on both right and left sides.

MIRUS International Inc.

#12-6805 Invader Cres., Mississauga, ON, Canada L5T 2K6
Tel:(905) 565-6900 Fax: (905) 565-6911 Toll Free: 1-888-TO MIRUS

Unless otherwise specified, dimensions are in inches and [mm].	Drawn By CW	Date Created 01-Jun-08	Checked by YM	Approved by - date YM-01-Jun-08	Scale NTS
The information contained herein is the sole property of MIRUS International Inc. Any form of reproduction, distribution and/or disclosure of this information, all or in part, is strictly prohibited without the express written consent of MIRUS International Inc.			Title 400 HP, 600 V, 60 HZ LINEATOR™ AUHF (Open Style)		
			Filename AUHF-400-600-60-D-E0-A15	Revision A15	Sheet 1/1