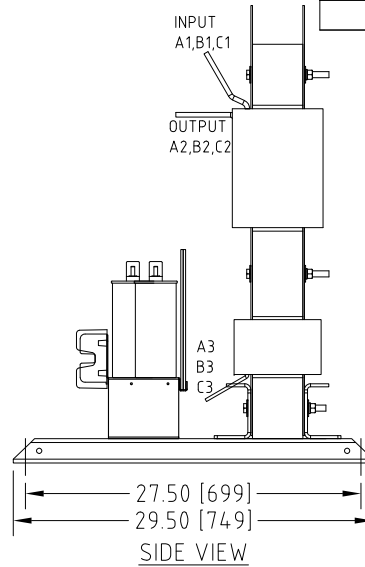
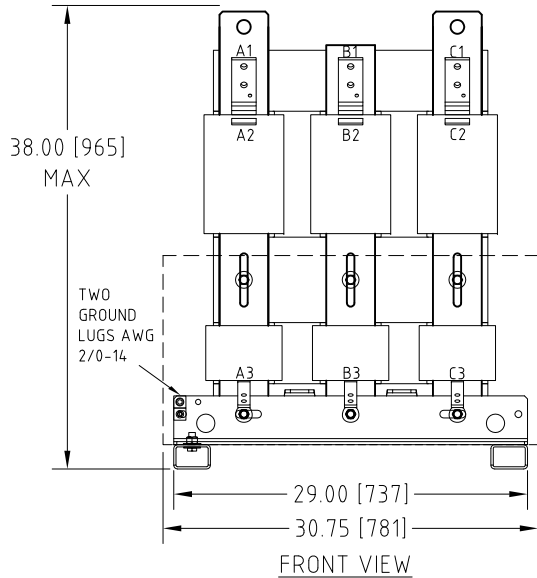


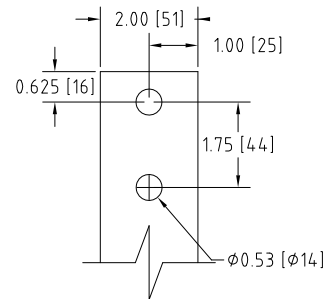
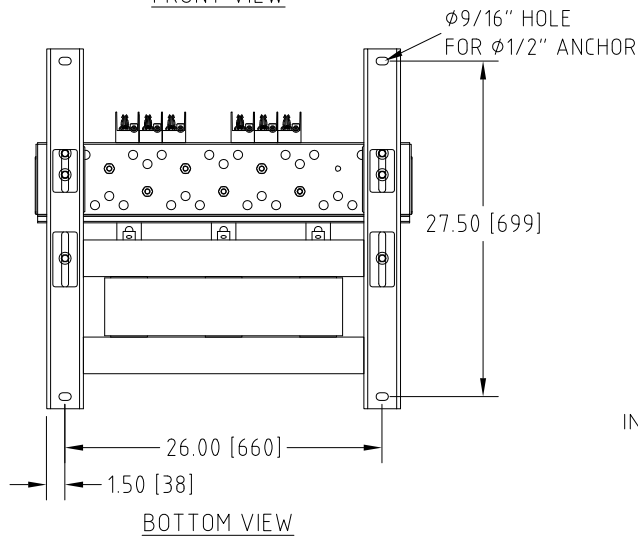
Rev. No.	Revision Note	Date	By	Checked
A1	REVISED CAPACITOR BOARD	17-NOV-2022	CG	BDK



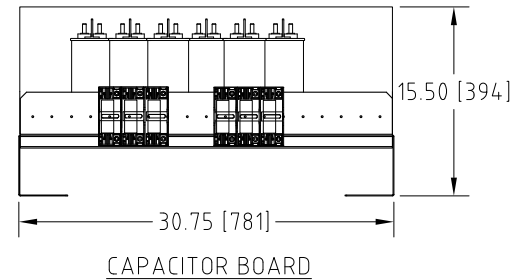
Connection Diagram

UNIT SPECIFICATIONS				INPUT	OUTPUT	APPROX. WT
HP [kW]	PHASE	VOLTS	Hz	AMPS	kW	lb [kg]
450 (355)	3	480	60	530	394	900 [409]

NOTES:
 1. CUSTOMER IS RESPONSIBLE FOR INSTALLATION TO MEET ALL NATIONAL AND LOCAL ELECTRICAL CODES AND OTHER APPLICABLE ELECTRICAL SAFETY AUTHORITIES.
 2. CUSTOMER IS RESPONSIBLE FOR PROPER COOLING OF FILTER COMPONENTS. ALLOWED AMBIENT: MAXIMUM 60°C, MINIMUM -40°C. A MINIMUM CLEARANCE OF 2" MUST BE ALLOWED ON BOTH RIGHT AND LEFT SIDES. PROPER VENTILATION MUST ENSURE THAT SUPPLY AIR FLOWS THROUGH THE REACTOR COILS FROM BELOW THE UNIT.



INPUT A1,B1,C1 & OUTPUT A2,B2,C2
 TERMINALS
 THICKNESS 3/8"



MIRUS International Inc.		31 Sun Pac Boulevard, Brampton, ON, Canada L6S 5P6 Tel: (905) 494-1120 Fax: (905) 494-1140 Toll Free: 1-888-T0 MIRUS			
Unless otherwise specified, dimensions are in inches and [mm].	Drawn By CG	Date Created 28-SEP-2021	Checked by BDK	Approved by - date BDK-28-SEP-2021	Scale NTS
The information contained herein is the sole property of MIRUS International Inc. Any form of reproduction, distribution and/or disclosure of this information, all or in part, is strictly prohibited without the express written consent of MIRUS International Inc.		Title 450 HP, 480V, 60Hz LINEATOR™ AUHF (Open Style)			
		Filename AUHF-450-480-60-D-E0-A1	Revision A1	Sheet 1/1	