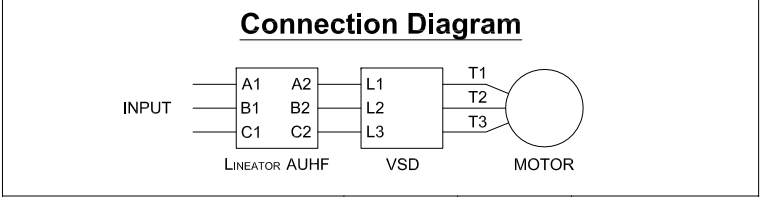
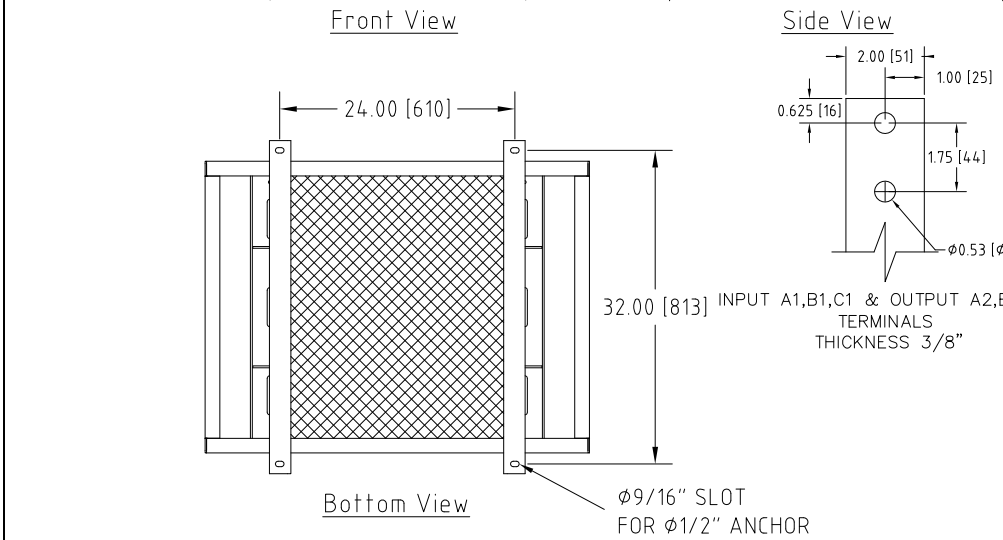
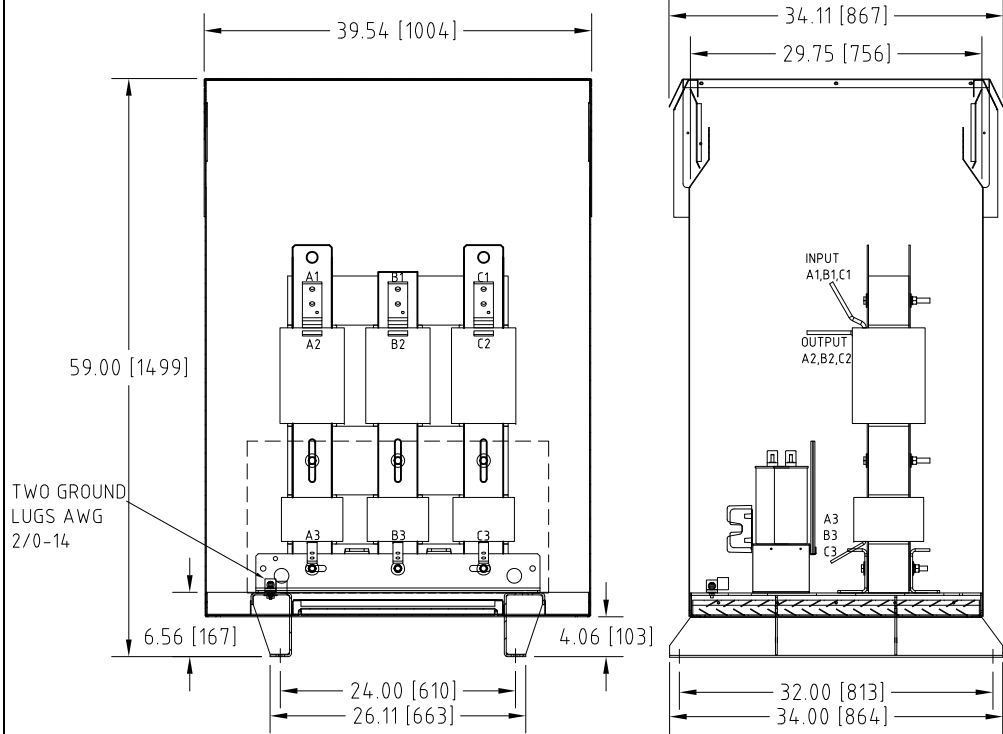
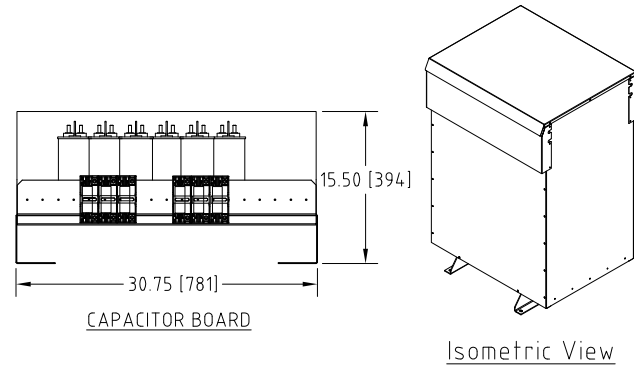


Rev. No.	Revision Note	Date	By	Checked
A1	REVISED CAPACITOR BOARD	17-NOV-2022	CG	BDK



UNIT SPECIFICATIONS			INPUT	OUTPUT	APPROX. WT,
HP (kW)	PHASE	VOLTS	AMPS	kW	lb (kg)
450 (355)	3	480	530	394	1200 (545)

- NOTES:
- Customer is responsible for installation to meet all national and local electrical codes and other applicable electrical safety authorities.
 - Type 3R Enclosure requires only front access but minimum 6" clearance should be provided at rear for proper ventilation.



MIRUS International Inc.		31 Sun Pac Boulevard, Brampton, ON, Canada L6S 5P6 Tel: (905) 494-1120 Fax: (905) 494-1140 Toll Free: 1-888-TO MIRUS			
Unless otherwise specified, dimensions are in inches and [mm].	Drawn by CG	Date 28-SEP-2021	Checked by BDK	Approved by - date BDK-28-SEP-2021	Scale NTS
The information contained herein is the sole property of MIRUS International Inc. Any form of reproduction, distribution and/or disclosure of this information, all or in part, is strictly prohibited without the express written consent of MIRUS International Inc.		Title 450 HP, 480V, 60Hz Enhanced Enclosed Style Lineator AUHF			
		Filename AUHF-450-480-60-D-E1E-A1		Revision A1	Sheet 1/1