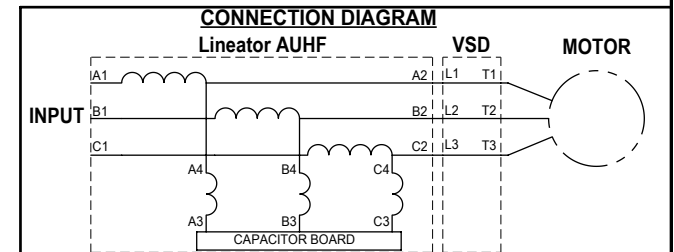
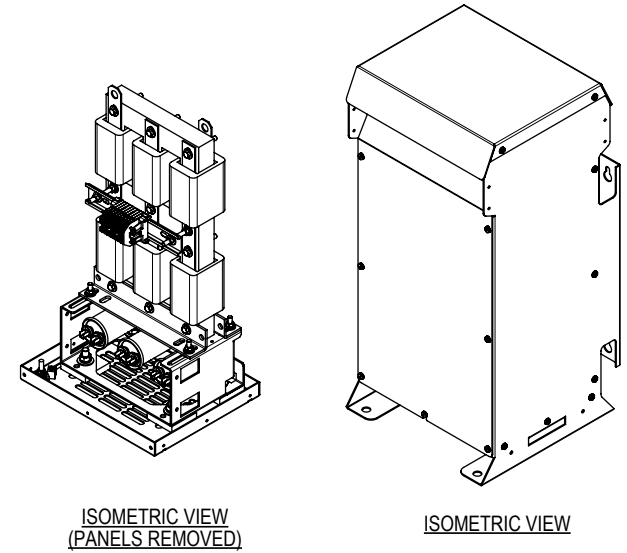


CUSTOMER CONNECTION TERMINAL
SUITABLE FOR #22-#12AWG - SOLID OR STRANDED
(SEE CONNECTION DIAGRAM)

- NOTES:**
1. CUSTOMER IS RESPONSIBLE FOR INSTALLATION TO MEET ALL NATIONAL AND LOCAL ELECTRICAL CODES AND OTHER APPLICABLE ELECTRICAL SAFETY AUTHORITIES.
 2. TYPE 3R ENCLOSURE REQUIRES ONLY FRONT ACCESS BUT MINIMUM 6" CLEARANCE SHOULD BE PROVIDED AT REAR FOR PROPER VENTILATION.

REV	DESCRIPTION	DATE	BY	APP



UNIT SPECIFICATIONS				INPUT AMPS	OUTPUT AMPS	OUTPUT kW	HEAT LOSS W	APPROX. WT lbs [kg]
HP [kW]	PHASE	VOLTS	Hz	7	7	4.5	59	40 [18]
5 [4]	3	480	60					

THE INFORMATION CONTAINED HEREIN IS THE SOLE PROPERTY OF MIRUS INTERNATIONAL INC. ANY FORM OF REPRODUCTION, DISTRIBUTION AND/OR DISCLOSURE OF THIS INFORMATION, ALL OR IN PART, IS STRICTLY PROHIBITED WITHOUT THE EXPRESS WRITTEN CONSENT OF MIRUS INTERNATIONAL INC.

		MIRUS International Inc. 31 Sun Pac Boulevard, Brampton Ontario Canada L6S 5P6 1-888-TO MIRUS www.mirusinternational.com
DRAWN: CG SCALE: NTS	APPROVED: BDK DATE: 15-DEC-2021	

TITLE

5 HP, 480 V, 60Hz
LINEATOR AUHF, ENCLOSED

ELEC FILE NO. AUHF-5-480-60-D-EX-R1	DRAWING NO. AUHF-5-480-60-D-E1	SHT OF	REV
		1	1