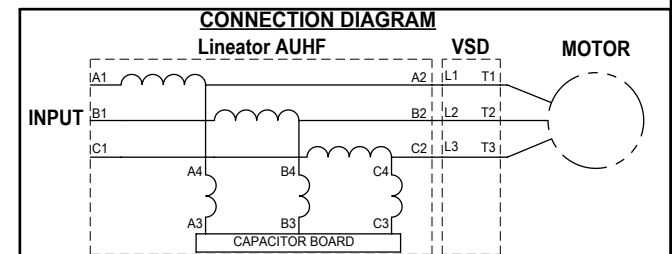
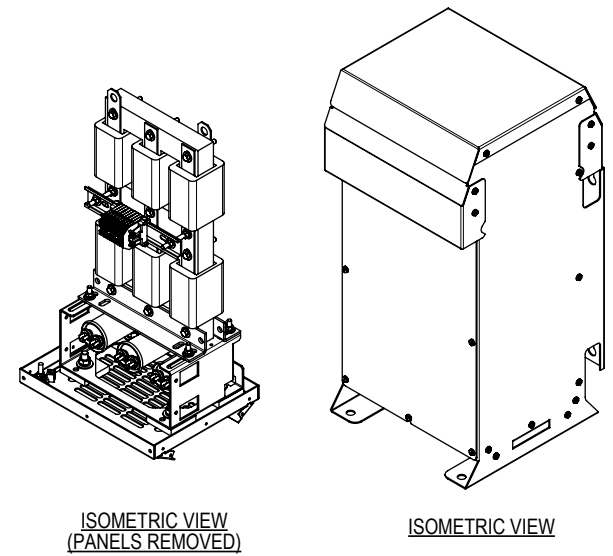


REV	DESCRIPTION	DATE	BY	APP
1	UPDATED WEIGHT	10-SEP-2024	TCS	BDK



UNIT SPECIFICATIONS				INPUT	OUTPUT	OUTPUT	HEAT LOSS	APPROX. WT
HP [kW]	PHASE	VOLTS	Hz	AMPS	AMPS	kW	W	lbs [kg]
5 [4]	3	480	60	7	7	4.5	59	60 [27]

THE INFORMATION CONTAINED HEREIN IS THE SOLE PROPERTY OF MIRUS INTERNATIONAL INC. ANY FORM OF REPRODUCTION, DISTRIBUTION AND/OR DISCLOSURE OF THIS INFORMATION, ALL OR IN PART, IS STRICTLY PROHIBITED WITHOUT THE EXPRESS WRITTEN CONSENT OF MIRUS INTERNATIONAL INC.

DRAWN CG	APPROVED BDK	<b>MIRUS</b> International Inc. 31 Sun Pac Boulevard, Brampton Ontario Canada L6S 5P6 1-888-TO MIRUS www.mirusinternational.com
SCALE NTS	DATE 15-DEC-2021	

TITLE

5 HP, 480 V, 60Hz  
 LINEATOR AUHF, ENH ENCLOSED

ELEC FILE NO. AUHF-5-480-60-D-EX-R1	DRAWING NO. AUHF-5-480-60-D-E1E	SHT OF	REV 1 1
--	------------------------------------	-----------	---------------

- NOTES:
- CUSTOMER IS RESPONSIBLE FOR INSTALLATION TO MEET ALL NATIONAL AND LOCAL ELECTRICAL CODES AND OTHER APPLICABLE ELECTRICAL SAFETY AUTHORITIES.
  - TYPE 3R ENHANCED ENCLOSURE REQUIRES ONLY FRONT ACCESS BUT MINIMUM 6" CLEARANCE SHOULD BE PROVIDED AT REAR FOR PROPER VENTILATION.