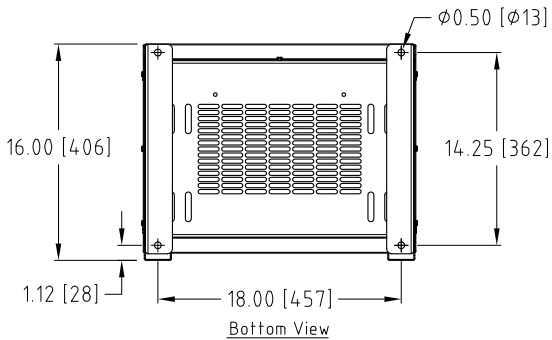
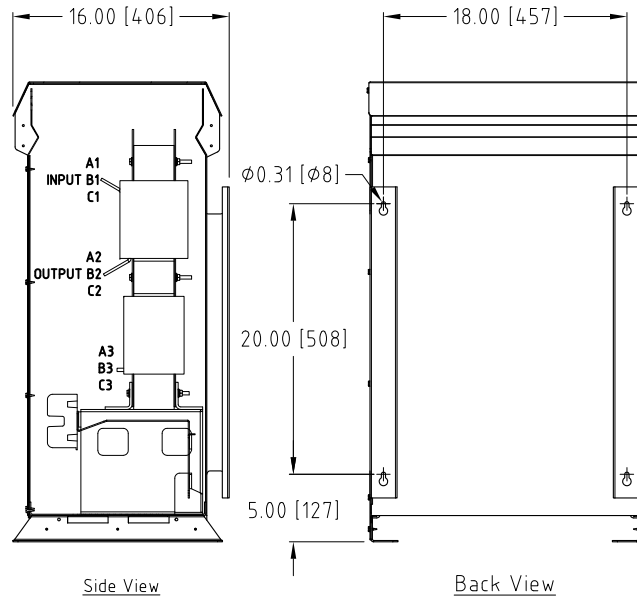
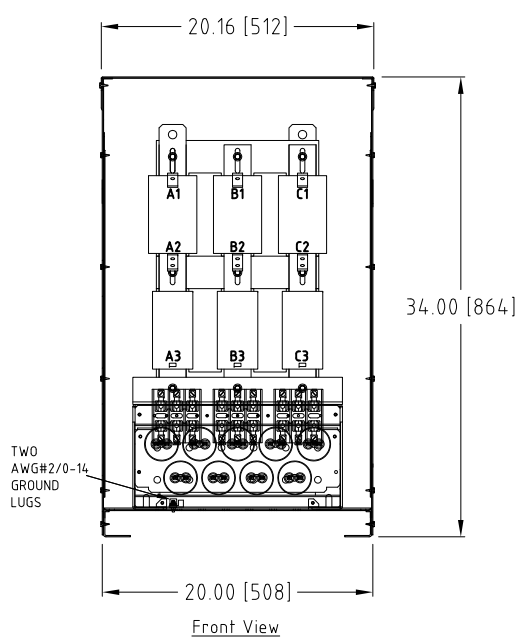
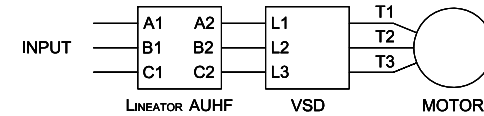


Rev. No.	Revision Note	Date	By	Checked
A1	CHANGED ENHANCED ENCLOSURE TO SU4	30-NOV-2015	CG	AH
A2	REVISED TO PRESSURE PLATE STYLE	28-OCT-2019	CG	BDK



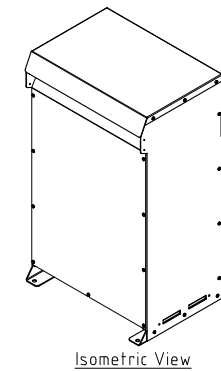
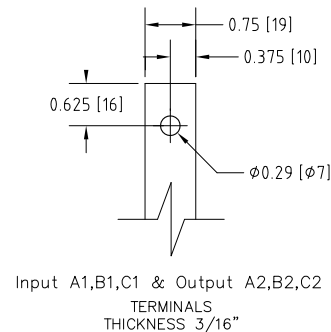
Connection Diagram



UNIT SPECIFICATIONS				INPUT	OUTPUT	APPROX. WT
HP [kW]	PHASE	VOLTS	Hz	AMPS	kW	lb [kg]
50 [37.5]	3	208	60	131	42	250 [113]

NOTES:

- Customer is responsible for installation to meet all national and local electrical codes and other applicable electrical safety authorities.
- Type 3R Enclosure requires only front access but when floor mounting a minimum of 6" clearance should be provided at rear for proper ventilation.



MIRUS International Inc.

31 Sun Pac Boulevard, Brampton, ON, Canada L6S 5P6
Tel:(905) 494-1120 Fax: (905) 494-1140 Toll Free: 1-888-TO MIRUS

Unless otherwise specified, dimensions are in inches and [mm].	Drawn By BDK	Date Created 20-JUL-11	Checked by YM	Approved by - date YM-20-JUL-11	Scale NTS
The information contained herein is the sole property of MIRUS International Inc. Any form of reproduction, distribution and/or disclosure of this information, all or in part, is strictly prohibited without the express written consent of MIRUS International Inc.			Title 50 HP, 208 V, 60 Hz LINEATOR™ AUHF (Type-3R)		
			Filename AUHF-50-208-60-D-E1-A2	Revision A2	Sheet 1/1