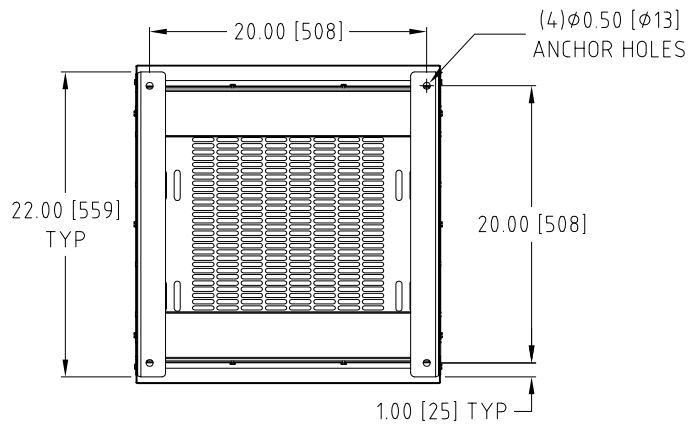


Front View

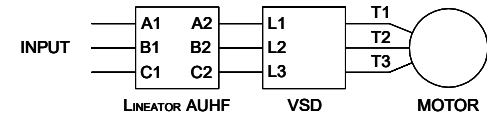
Side View



Bottom View

Rev. No.	Revision Note	Date	By	Checked
A1	CHANGED ENHANCED ENCLOSURE TO SU4	30-NOV-2015	CG	AH
A2	REVISED TO PRESSURE PLATE STYLE	28-OCT-2019	CG	BDK

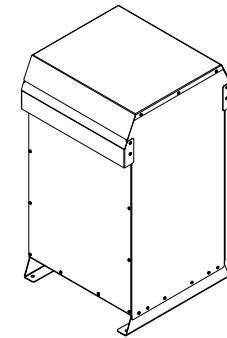
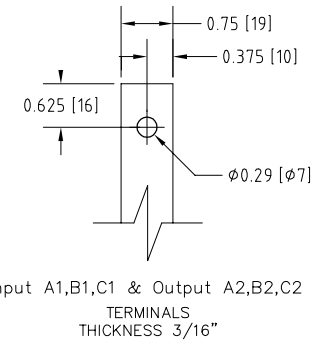
Connection Diagram



UNIT SPECIFICATIONS				INPUT	OUTPUT	APPROX. WT
HP [kW]	PHASE	VOLTS	Hz	AMPS	kW	lb [kg]
50 [37.5]	3	208	60	131	42	260 [118]

NOTES:

1. Customer is responsible for installation to meet all national and local electrical codes and other applicable electrical safety authorities.
2. Type 3R Enhanced enclosure suitable for outdoor installation.
3. Only front access is required but when floor mounting a minimum of 6" clearance should be provided at rear for proper ventilation.



Isometric View

MIRUS International Inc.

31 Sun Pac Boulevard, Brampton, ON, Canada L6S 5P6
 Tel:(905) 494-1120 Fax: (905) 494-1140 Toll Free: 1-888-TO MIRUS

Unless otherwise specified, dimensions are in inches and [mm].	Drawn By BDK	Date Created 20-JUL-11	Checked by YM	Approved by - date YM-20-JUL-11	Scale NTS
--	-----------------	---------------------------	------------------	------------------------------------	--------------

The information contained herein is the sole property of MIRUS International Inc. Any form of reproduction, distribution and/or disclosure of this information, all or in part, is strictly prohibited without the express written consent of MIRUS International Inc.

Title 50 HP, 208 V, 60 Hz LINEATOR™ AUHF (Type-3R Enh.)	Revision A2	Sheet 1/1
Filename AUHF-50-208-60-D-E1E-A2		