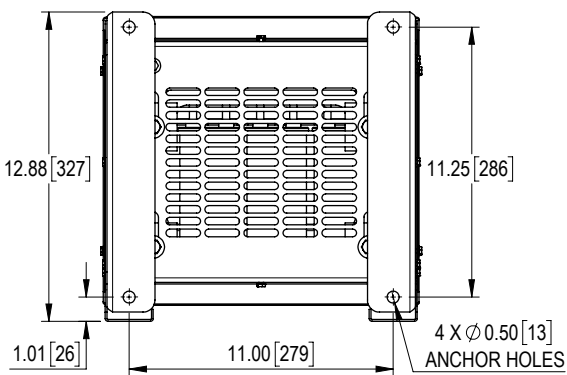
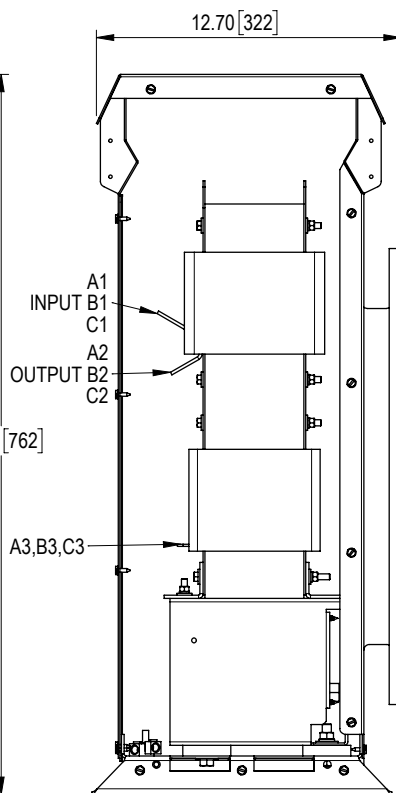


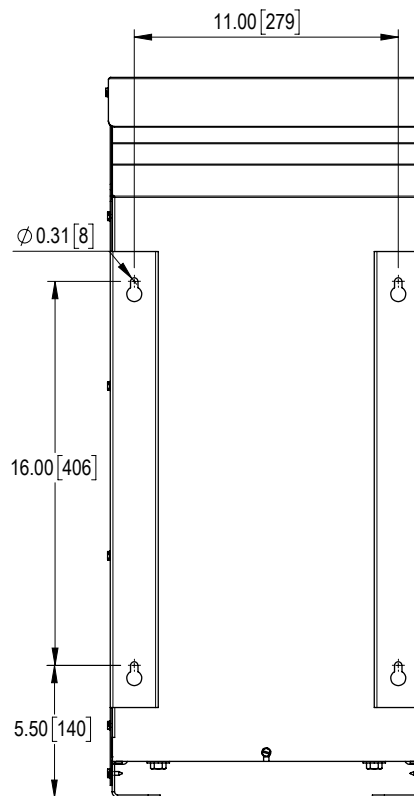
FRONT VIEW



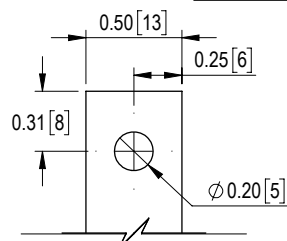
BOTTOM VIEW



SIDE VIEW

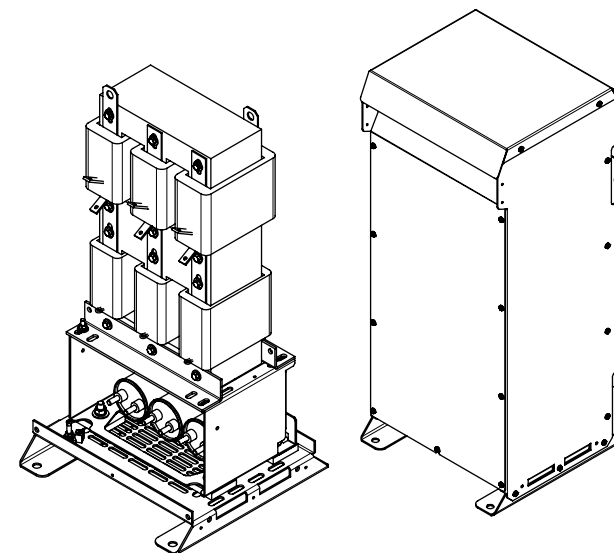


BACK VIEW



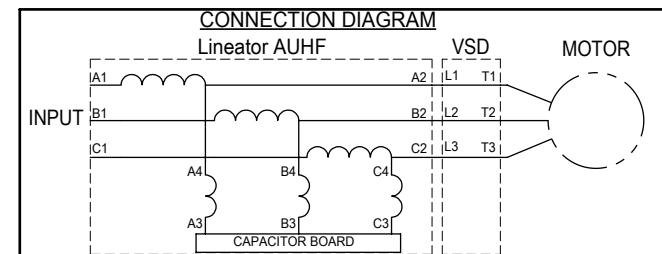
INPUT A1, B1, C1 & OUTPUT A2, B2, C2 TERMINALS THICKNESS: 1/8"

REV	DESCRIPTION	DATE	BY	APP

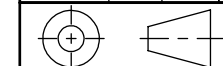


ISOMETRIC VIEW (PANELS REMOVED)

ISOMETRIC VIEW



UNIT SPECIFICATIONS				INPUT AMPS	OUTPUT AMPS	OUTPUT kW	HEAT LOSS W	APPROX. WT lbs [kg]
HP [kW]	PHASE	VOLTS	Hz	57	60	42	512	210 [95]
50 [37.5]	3	480	60					



THE INFORMATION CONTAINED HEREIN IS THE SOLE PROPERTY OF MIRUS INTERNATIONAL INC. ANY FORM OF REPRODUCTION, DISTRIBUTION AND/OR DISCLOSURE OF THIS INFORMATION, ALL OR IN PART, IS STRICTLY PROHIBITED WITHOUT THE EXPRESS WRITTEN CONSENT OF MIRUS INTERNATIONAL INC.

DRAWN CG
SCALE NTS

APPROVED BDK
DATE 03-MAR-2023

MIRUSInternational Inc.
31 Sun Pac Boulevard, Brampton Ontario Canada L6S 5P6
1-888-TO MIRUS www.mirusinternational.com

TITLE
50 HP, 480 V, 60 Hz
LINEATOR AUHF, ENCLOSED

ELEC FILE NO.	DRAWING NO.	SHT OF	REV
AUHF-50-480-60-D-EX-R0	AUHF-50-480-60-D-E1	1 OF 1	R0

NOTES:
1. CUSTOMER IS RESPONSIBLE FOR INSTALLATION TO MEET ALL NATIONAL AND LOCAL ELECTRICAL CODES AND OTHER APPLICABLE ELECTRICAL SAFETY AUTHORITIES.
2. TYPE 3R ENCLOSURE REQUIRES ONLY FRONT ACCESS BUT MINIMUM 6" CLEARANCE SHOULD BE PROVIDED AT REAR FOR PROPER VENTILATION.