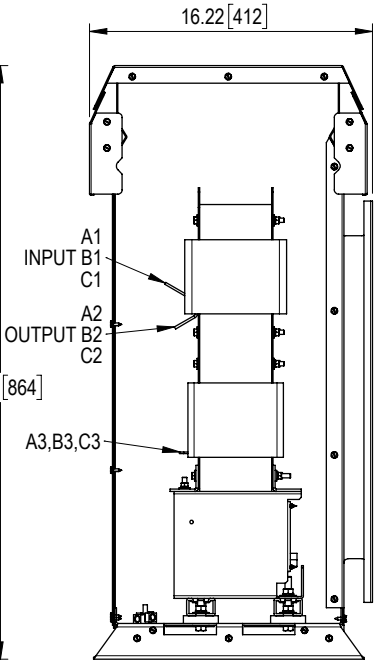
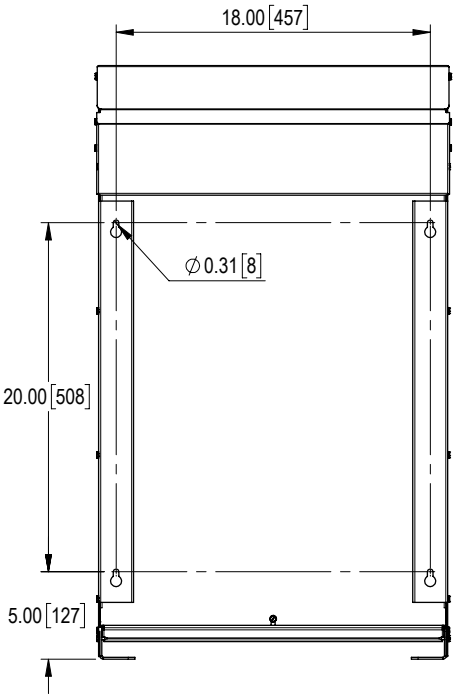


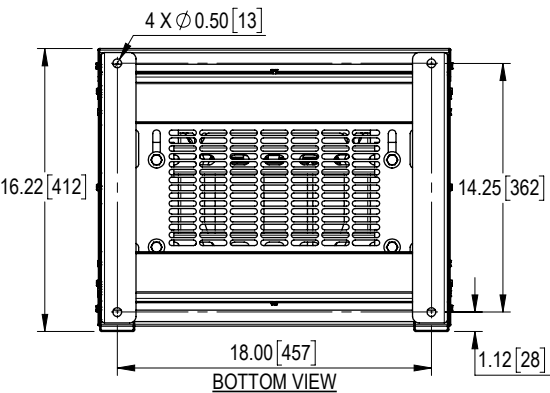
FRONT VIEW



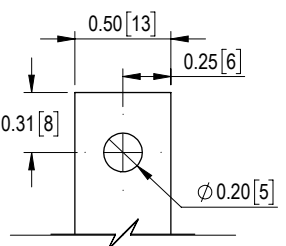
SIDE VIEW



BACK VIEW

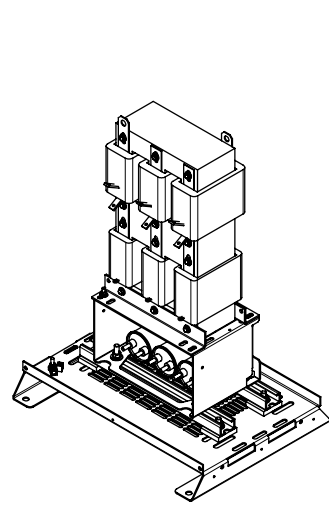


BOTTOM VIEW

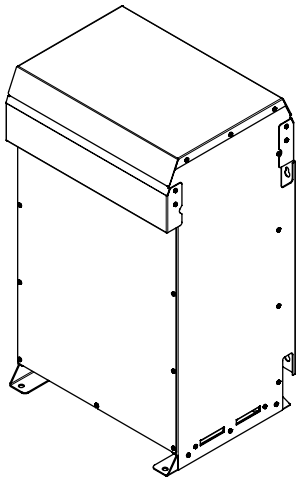


INPUT A1, B1, C1 & OUTPUT A2, B2, C2 TERMINALS THICKNESS: 1/8"

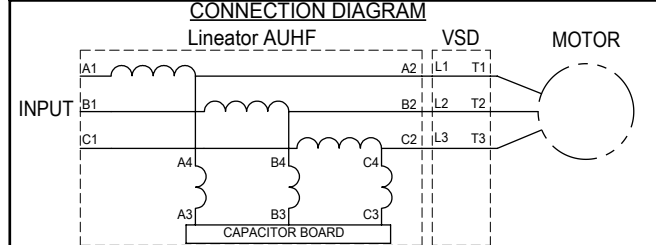
REV	DESCRIPTION	DATE	BY	APP



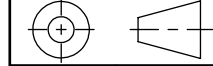
ISOMETRIC VIEW (PANELS REMOVED)



ISOMETRIC VIEW



UNIT SPECIFICATIONS				INPUT AMPS	OUTPUT AMPS	OUTPUT kW	HEAT LOSS W	APPROX. WT lbs [kg]
HP [kW]	PHASE	VOLTS	Hz	57	60	42	512	215 [98]
50 [37.5]	3	480	60					



THE INFORMATION CONTAINED HEREIN IS THE SOLE PROPERTY OF MIRUS INTERNATIONAL INC. ANY FORM OF REPRODUCTION, DISTRIBUTION AND/OR DISCLOSURE OF THIS INFORMATION, ALL OR IN PART, IS STRICTLY PROHIBITED WITHOUT THE EXPRESS WRITTEN CONSENT OF MIRUS INTERNATIONAL INC.

DRAWN CG	APPROVED BDK
SCALE NTS	DATE 03-MAR-2023

MIRUSInternational Inc.
31 Sun Pac Boulevard, Brampton Ontario Canada L6S 5P6
1-888-TO MIRUS www.mirusinternational.com

TITLE
50 HP, 480 V, 60 Hz
LINEATOR AUHF, ENH ENCLOSED

ELEC FILE NO. AUHF-50-480-60-D-EX-R0	DRAWING NO. AUHF-50-480-60-D-E1E	SHT OF	REV 1 R0
---	-------------------------------------	-----------	----------------

NOTES:
1. CUSTOMER IS RESPONSIBLE FOR INSTALLATION TO MEET ALL NATIONAL AND LOCAL ELECTRICAL CODES AND OTHER APPLICABLE ELECTRICAL SAFETY AUTHORITIES.
2. TYPE 3R ENHANCED ENCLOSURE REQUIRES ONLY FRONT ACCESS BUT MINIMUM 6" CLEARANCE SHOULD BE PROVIDED AT REAR FOR PROPER VENTILATION.