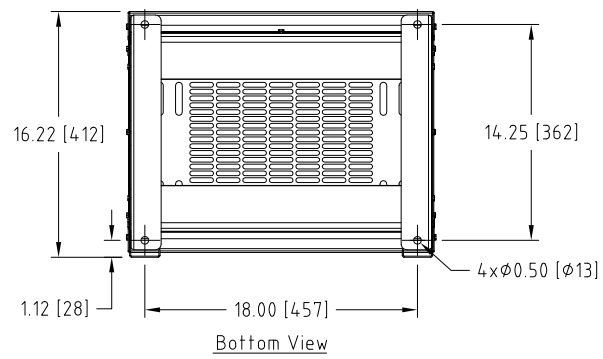
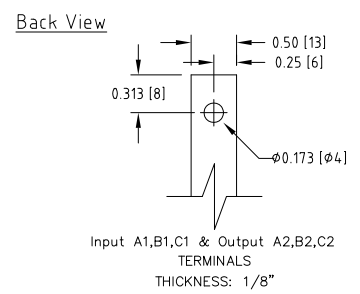
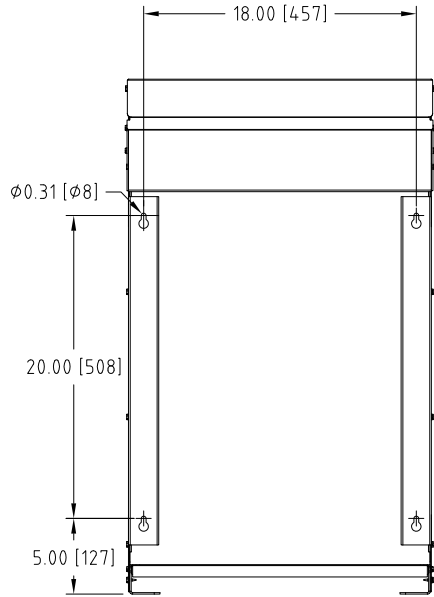
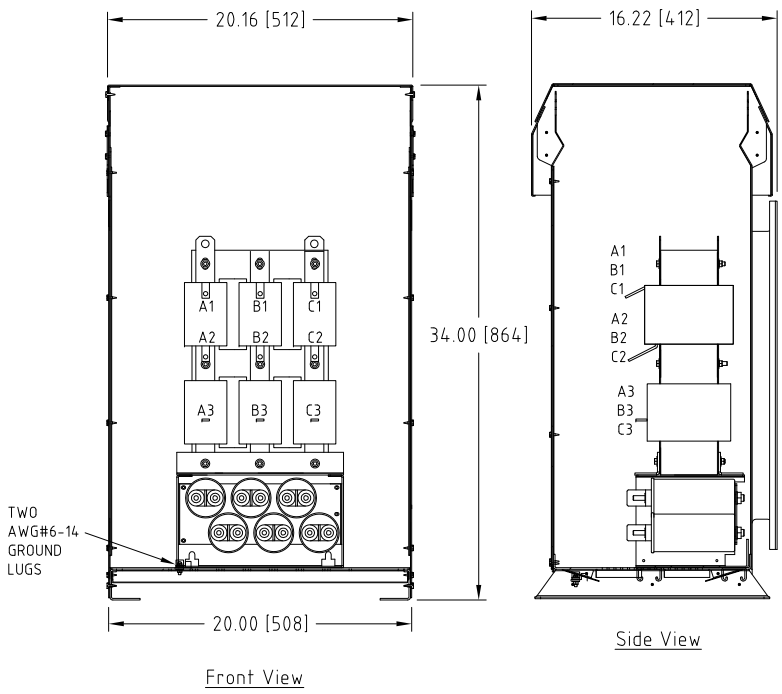
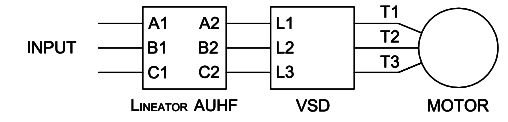


Rev. No.	Revision Note	Date	By	Checked
A23	REVISED CAPACITORS	13-FEB-15	CG	AH
A24	REMOVED ENHANCED ENCLOSURE UNISTRUT ADAPTER BRACKET	10-NOV-15	CG	AH



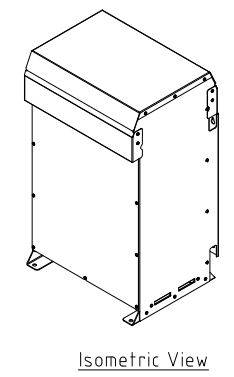
### Connection Diagram



UNIT SPECIFICATIONS				INPUT	OUTPUT	APPROX. WT
HP [kW]	PHASE	VOLTS	Hz	AMPS	kW	lb [kg]
50 [37.5]	3	600	60	4.5	4.2	196 [89]

NOTES:

- Customer is responsible for installation to meet all national and local electrical codes and other applicable electrical safety authorities.
- Type 3R Enhanced enclosure suitable for outdoor installation. Only front access is required but minimum 6" clearance should be provided at rear for proper ventilation.



**MIRUS International Inc.** 31 Sun Pac Boulevard, Brampton, ON, Canada L6S 5P6  
Tel: (905) 494-1120 Fax: (905) 494-1140 Toll Free: 1-888-TO MIRUS

Unless otherwise specified, dimensions are in inches and [mm].	Drawn By JH	Date Created 14-Oct-05	Checked by YM	Approved by - date YM-14-Oct-05	Scale NTS
The information contained herein is the sole property of MIRUS International Inc. Any form of reproduction, distribution and/or disclosure of this information, all or in part, is strictly prohibited without the express written consent of MIRUS International Inc.			Title 50 HP, 600 V, 60 Hz LINEATOR™ AUHF (Type-3R Enh.)		
Filename AUHF-50-600-60-D-E1E-A24			Revision A24	Sheet 1/1	