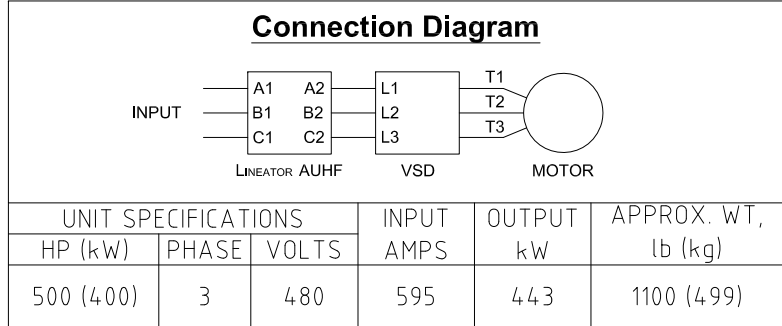
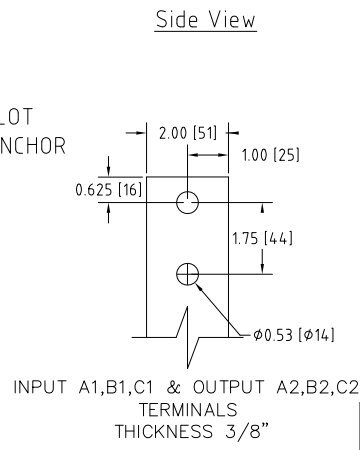
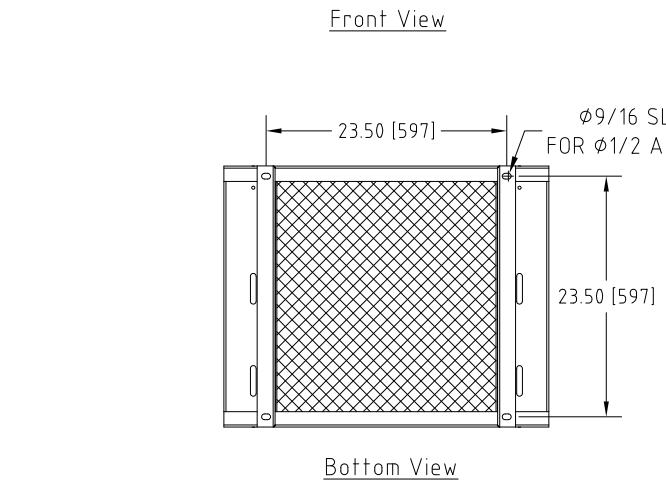
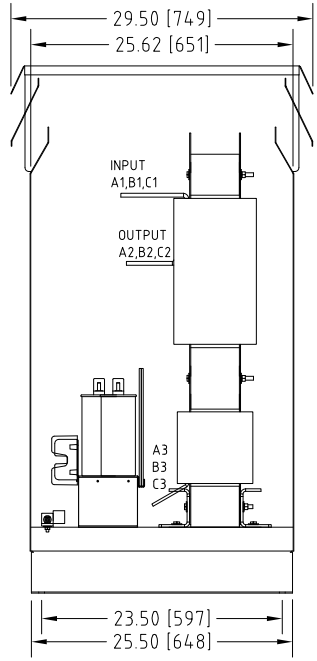
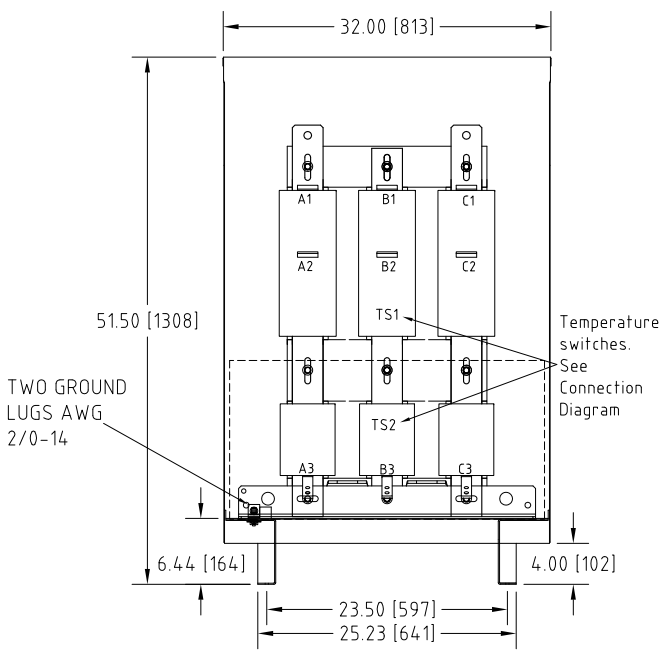
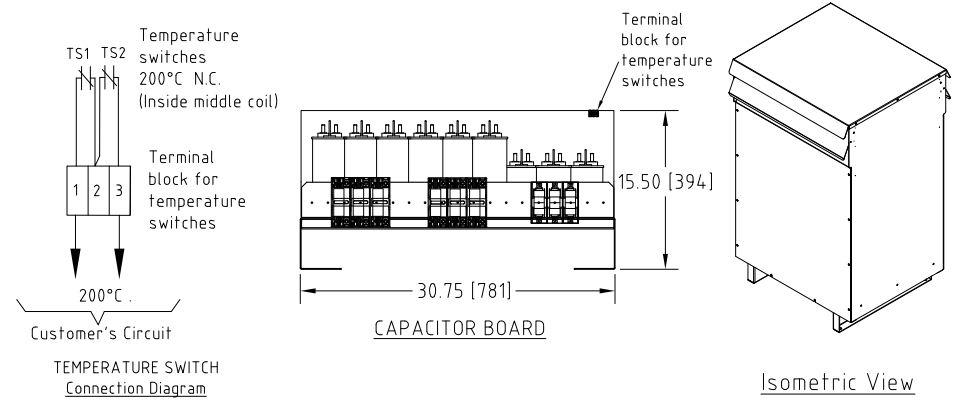


Rev. No.	Revision Note	Date	By	Checked
A17	ADDED MIDDLE YOKE BRACKET	26-JAN-2021	CG	AH
A18	REVISED REACTOR BRACKETS	03-FEB-2021	CG	BDK



NOTES:  
 1. Customer is responsible for installation to meet all national and local electrical codes and other applicable electrical safety authorities.  
 2. Type 3R Enclosure requires only front access but minimum 6" clearance should be provided at rear for proper ventilation.



**MIRUS International Inc.** 31 Sun Pac Boulevard, Brampton, ON, Canada L6S 5P6  
 Tel:(905) 494-1120 Fax: (905) 494-1140 Toll Free: 1-888-TO MIRUS

Unless otherwise specified, dimensions are in inches and [mm].	Drawn by BDK	Date 18-JAN-11	Checked by YD	Approved by - date YD - 18-JAN-11	Scale NTS
The information contained herein is the sole property of MIRUS International Inc. Any form of reproduction, distribution and/or disclosure of this information, all or in part, is strictly prohibited without the express written consent of MIRUS International Inc.		Title 500 HP, 480V, 60Hz Enclosure Style Lineator AUHF			
		Filename AUHF-500-480-60-D-E1-A18	Revision A18	Sheet 1/1	