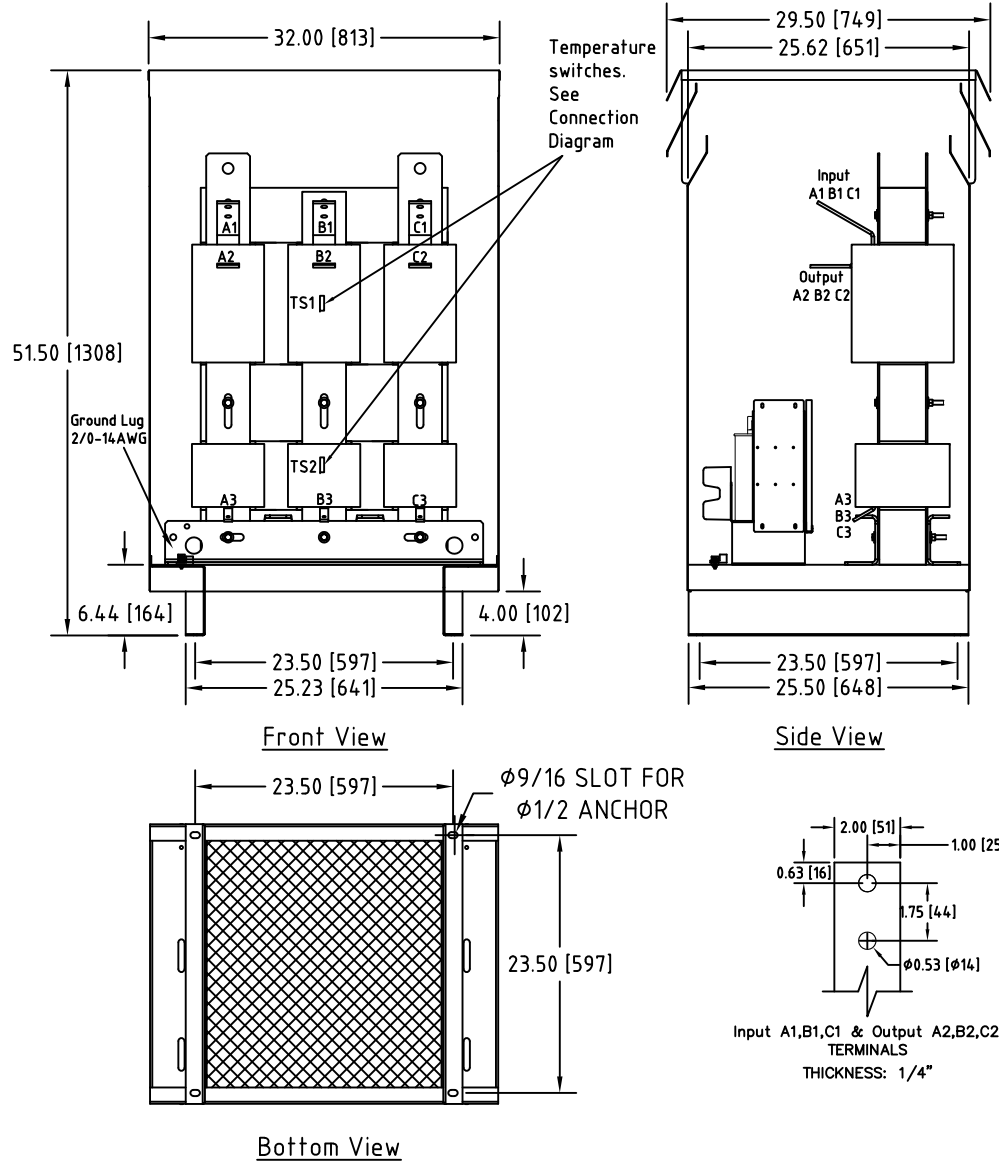
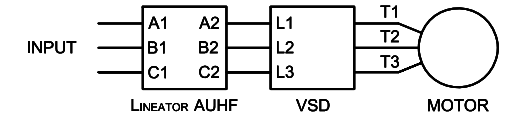


Rev. No.	Revision Note	Date	By	Checked
A12	REVISED REACTOR DESIGN	14-MAY-2020	CG	AH
A13	REVISED BRACKET DESIGN	28-APR-2021	CG	BDK

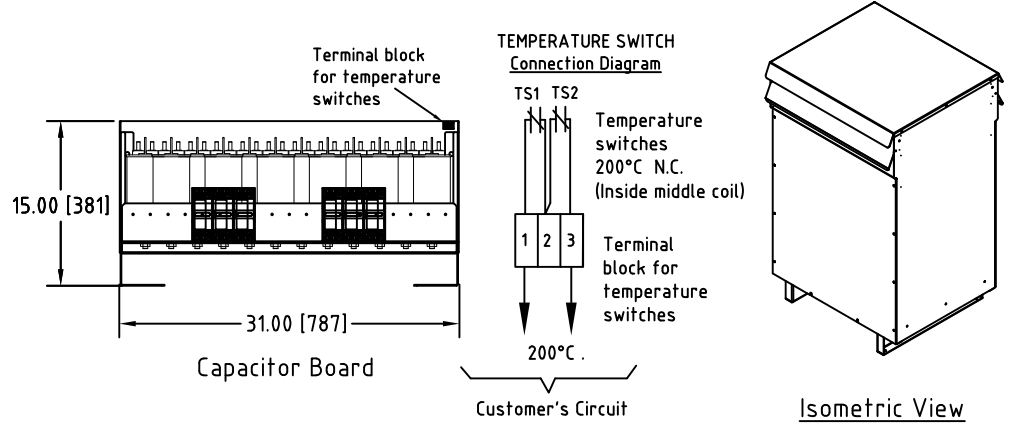


Connection Diagram



UNIT SPECIFICATIONS				INPUT	OUTPUT	APPROX. WT
HP [kW]	PHASE	VOLTS	Hz	AMPS	kW	lb [kg]
500 [400]	3	600	60	475	443	1125 [511]

NOTES:
 1. Customer is responsible for installation to meet all national and local electrical codes and other applicable electrical safety authorities.
 2. Type 3R Enclosure requires only front access but minimum 6" clearance should be provided at rear for proper ventilation..



MIRUS International Inc. 31 Sun Pac Boulevard, Brampton, ON, Canada L6S 5P6
 Tel: (905) 494-1120 Fax: (905) 494-1140 Toll Free: 1-888-TO MIRUS

Unless otherwise specified, dimensions are in inches and [mm].	Drawn By CW	Date Created 10-Jan-07	Checked by YM	Approved by - date YM-10-Jan-07	Scale NTS
--	----------------	---------------------------	------------------	------------------------------------	--------------

The information contained herein is the sole property of MIRUS International Inc. Any form of reproduction, distribution and/or disclosure of this information, all or in part, is strictly prohibited without the express written consent of MIRUS International Inc.

Title 500 HP, 600 V, 60 Hz LINEATOR™ AUHF (Type-3R)	Revision A13	Sheet 1/1
Filename AUHF-500-600-60-D-E1-A13		