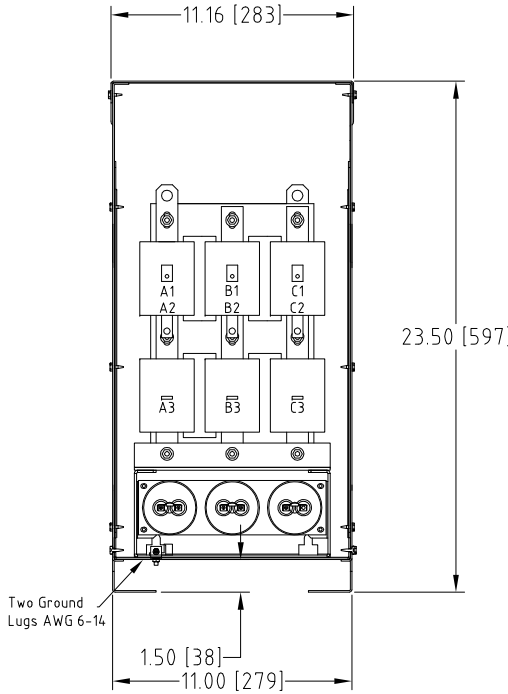
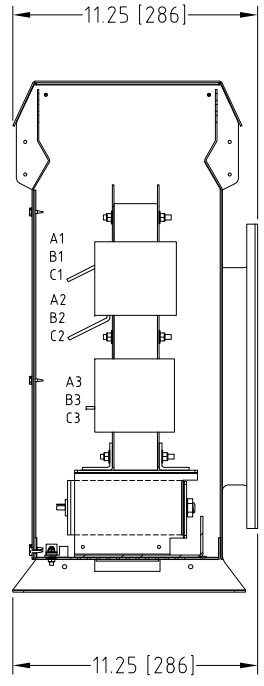


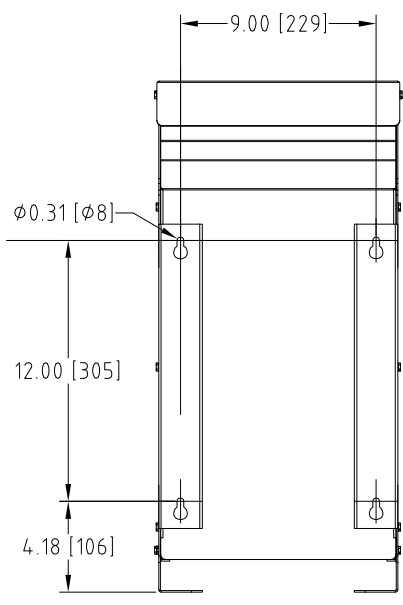
Rev. No.	Revision Note	Date	By	Checked
A1	BRACKETS REVISED	02-MAY-14	AH	YM



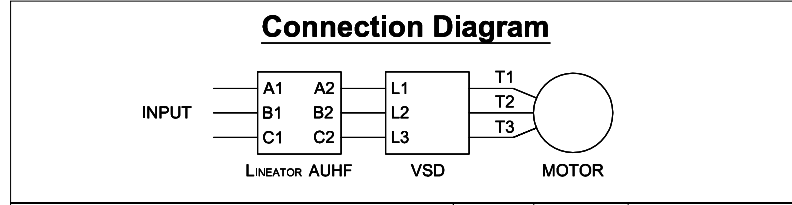
Front View



Side View



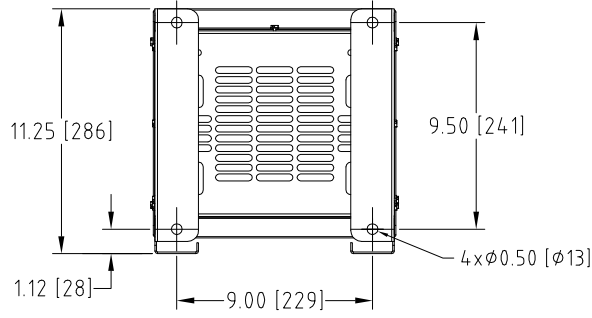
Back View



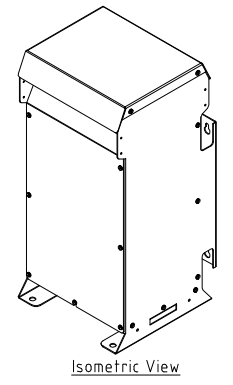
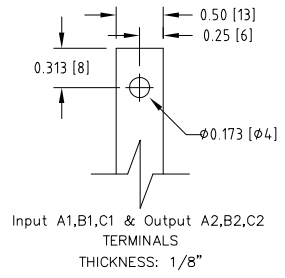
UNIT SPECIFICATIONS				INPUT	OUTPUT	APPROX. WT
HP [kW]	PHASE	VOLTS	Hz	AMPS	kW	lb [kg]
5 [4]	3	208	60	14	4.5	58 [26]
7.5 [5.5]	3	208	60	20	6.3	67 [30]
10 [7.5]	3	208	60	27	8.5	78 [35]

**NOTES:**

- Customer is responsible for installation to meet all national and local electrical codes and other applicable electrical safety authorities.
- Type 3R Enclosure requires only front access.



Bottom View



Isometric View

**MIRUS International Inc.** 31 Sun Pac Boulevard, Brampton, ON, Canada L6S 5P6  
Tel: (905) 494-1120 Fax: (905) 494-1140 Toll Free: 1-888-TO MIRUS

Unless otherwise specified, dimensions are in inches and [mm].	Drawn By YM	Date Created 08-MAY-12	Checked by BDK	Approved by - date BDK-08-MAY-12	Scale NTS
The information contained herein is the sole property of MIRUS International Inc. Any form of reproduction, distribution and/or disclosure of this information, all or in part, is strictly prohibited without the express written consent of MIRUS International Inc.			Title 5-10 HP, 208 V, 60 Hz LINEATOR™ AUHF (Type-3R)		
			Filename AUHF-5to10-208-60-D-E1-A1	Revision A1	Sheet 1/1