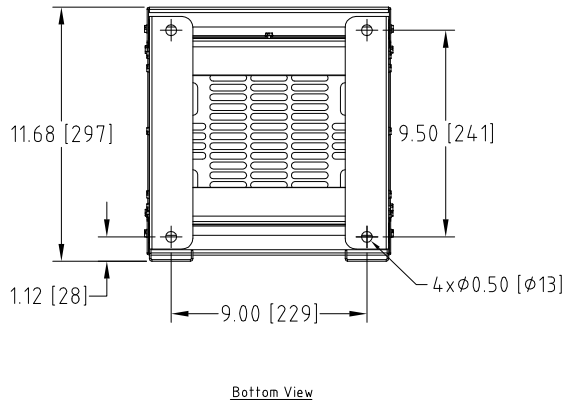
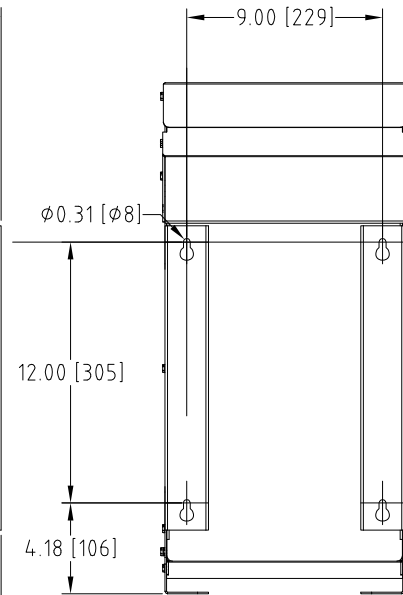
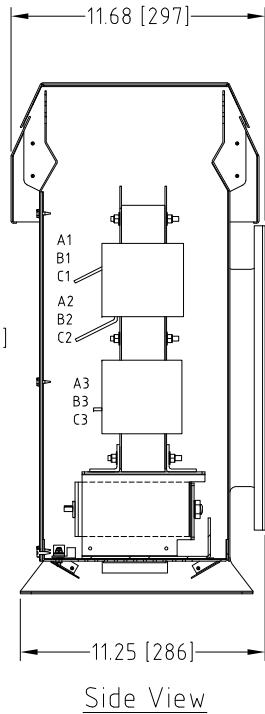
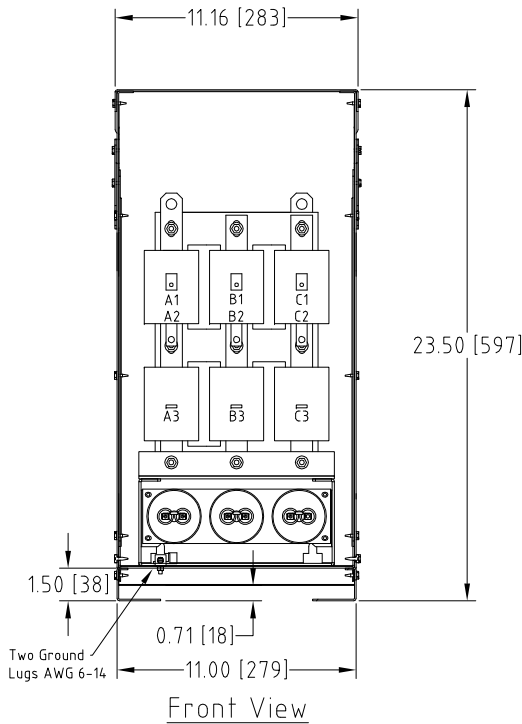


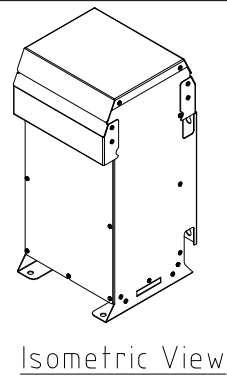
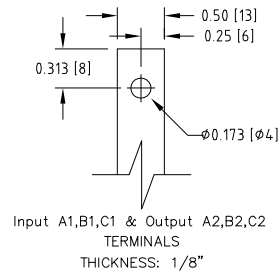
Rev. No.	Revision Note	Date	By	Checked
A1	BRACKETS REVISED	02-MAY-14	AH	YM



### Connection Diagram

UNIT SPECIFICATIONS				INPUT	OUTPUT	APPROX. WT
HP [kW]	PHASE	VOLTS	Hz	AMPS	kW	lb [kg]
5 [4]	3	208	60	14	4.5	68 [31]
7.5 [5.5]	3	208	60	20	6.3	77 [35]
10 [7.5]	3	208	60	27	8.5	88 [40]

NOTES:  
 1. Customer is responsible for installation to meet all national and local electrical codes and other applicable electrical safety authorities.  
 2. Type 3R Enclosure requires only front access.



## MIRUS International Inc.

31 Sun Pac Boulevard, Brampton, ON, Canada L6S 5P6  
 Tel: (905) 494-1120 Fax: (905) 494-1140 Toll Free: 1-888-TO MIRUS

Unless otherwise specified, dimensions are in inches and [mm].	Drawn By YM	Date Created 08-MAY-12	Checked by BDK	Approved by - date BDK-08-MAY-12	Scale NTS
The information contained herein is the sole property of MIRUS International Inc. Any form of reproduction, distribution and/or disclosure of this information, all or in part, is strictly prohibited without the express written consent of MIRUS International Inc.			Title 5-10 HP, 208 V, 60 Hz LINEATOR™ AUHF (Type-3R Enh.)		
			Filename AUHF-5to10-208-60-D-E1E-A1	Revision A1	Sheet 1/1