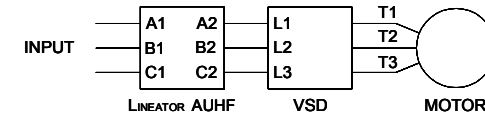


Rev. No.	Revision Note	Date	By	Checked
A17	Changed mounting holes for SU1 enclosure.	13-JUN-09	YM	YM
A18	Revised Brackets	03-FEB-14	AH	YM

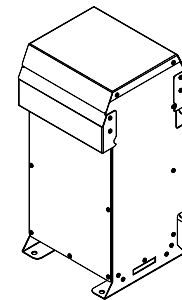
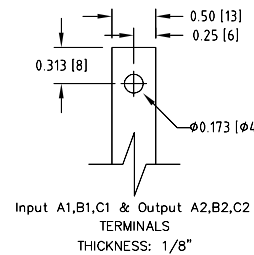
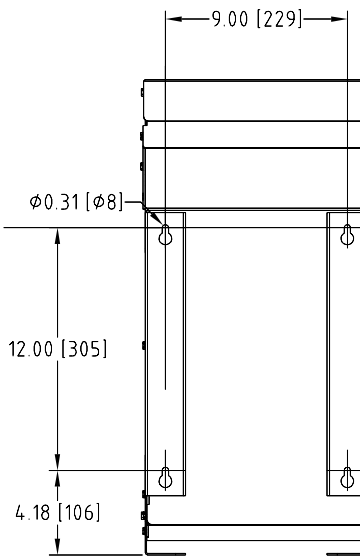
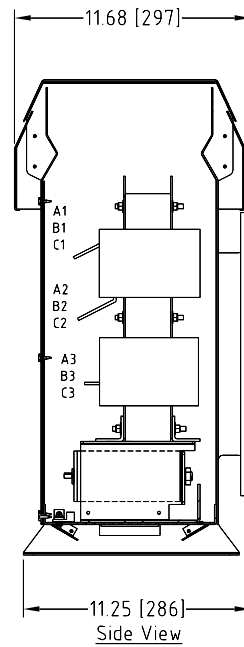
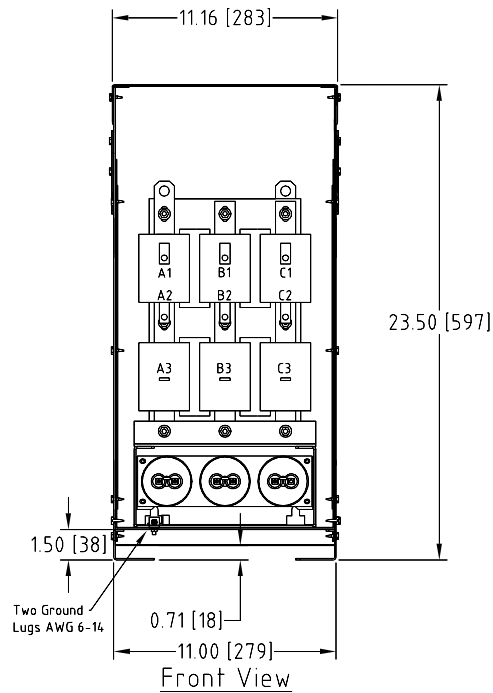
### Connection Diagram



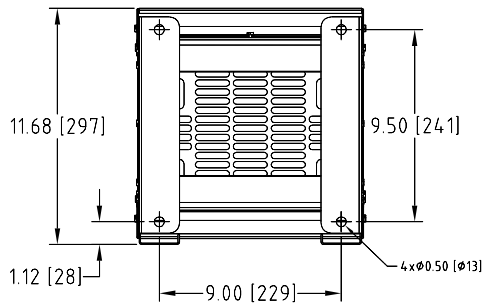
UNIT SPECIFICATIONS				INPUT	OUTPUT	APPROX. WT
HP [kW]	PHASE	VOLTS	Hz	AMPS	kW	lb [kg]
5 [4]	3	480	60	7	4.5	68 [31]
7.5 [5.5]	3	480	60	9	6.3	77 [35]
10 [7.5]	3	480	60	12	8.5	88 [40]
15 [11]	3	480	60	17	13	100 [45]

#### NOTES:

- Customer is responsible for installation to meet all national and local electrical codes and other applicable electrical safety authorities.
- Type 3R Enclosure requires only front access but minimum 6" clearance should be provided at rear for proper ventilation..



Isometric View



**MIRUS International Inc.** 31 Sun Pac Boulevard, Brampton, ON, Canada L6S 5P6  
Tel: (905) 494-1120 Fax: (905) 494-1140 Toll Free: 1-888-TO MIRUS

Unless otherwise specified, dimensions are in inches and [mm].	Drawn By JH	Date Created 25-OCT-05	Checked by YM	Approved by - date YM-25-OCT-05	Scale NTS
The information contained herein is the sole property of MIRUS International Inc. Any form of reproduction, distribution and/or disclosure of this information, all or in part, is strictly prohibited without the express written consent of MIRUS International Inc.			Title 5-15 HP, 480 V, 60 Hz LINEATOR™ AUHF (Type-3R Enh.)		
Filename AUHF-5to15-480-60-D-E1E-A18			Revision A18	Sheet 1/1	