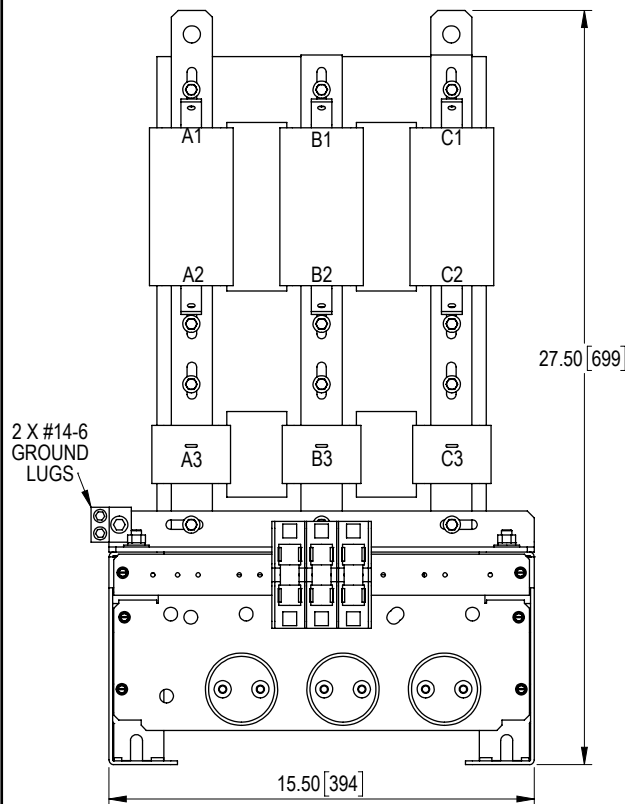
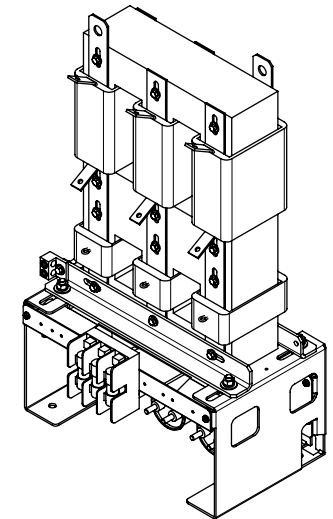
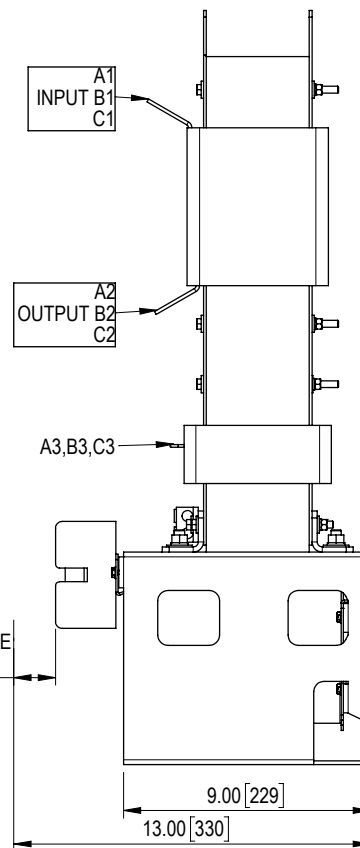


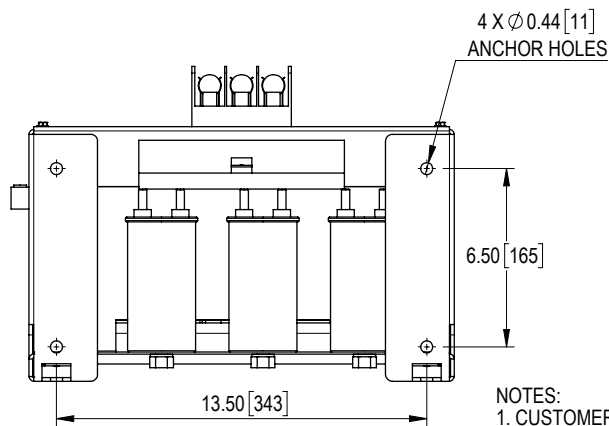
REV	DESCRIPTION	DATE	BY	APP



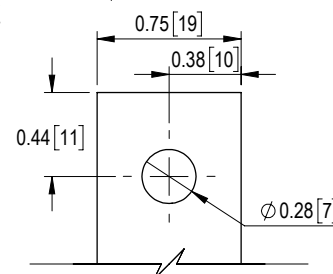
FRONT VIEW



ISOMETRIC VIEW



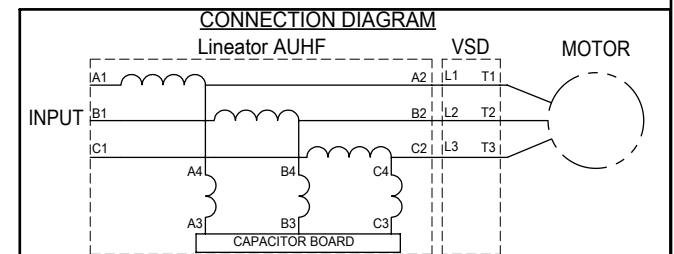
BOTTOM VIEW



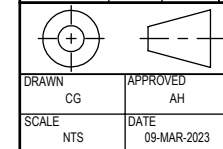
INPUT A1,B1,C1 & OUTPUT A2,B2,C2 TERMINALS THICKNESS: 1/8"

NOTES:

1. CUSTOMER IS RESPONSIBLE FOR INSTALLATION TO MEET ALL NATIONAL AND LOCAL ELECTRICAL CODES AND OTHER APPLICABLE ELECTRICAL SAFETY AUTHORITIES.
2. CUSTOMER IS RESPONSIBLE FOR PROPER COOLING OF FILTER COMPONENTS. ALLOWED AMBIENT: MAXIMUM 60 °C, MINIMUM -40 °C. A MINIMUM CLEARANCE OF 2" MUST BE ALLOWED ON BOTH RIGHT AND LEFT SIDES. PROPER VENTILATION MUST ENSURE THAT SUPPLY AIR FLOWS THROUGH THE REACTOR COILS FROM BELOW THE UNIT.



UNIT SPECIFICATIONS				INPUT AMPS	OUTPUT AMPS	OUTPUT kW	HEAT LOSS W	APPROX. WT lbs [kg]
HP [kW]	PHASE	VOLTS	Hz	69	73	51	545	225 [102]
60 [45]	3	480	60					



THE INFORMATION CONTAINED HEREIN IS THE SOLE PROPERTY OF MIRUS INTERNATIONAL INC. ANY FORM OF REPRODUCTION, DISTRIBUTION AND/OR DISCLOSURE OF THIS INFORMATION, ALL OR IN PART, IS STRICTLY PROHIBITED WITHOUT THE EXPRESS WRITTEN CONSENT OF MIRUS INTERNATIONAL INC.

DRAWN	APPROVED
CG	AH
SCALE	DATE
NTS	09-MAR-2023

**MIRUS**International Inc.  
31 Sun Pac Boulevard, Brampton Ontario Canada L6S 5P6  
1-888-TO MIRUS www.mirusinternational.com

TITLE

60 HP, 480 V, 60 Hz  
LINEATOR AUHF, OPEN STYLE

ELEC FILE NO.	DRAWING NO.	SHT	REV
AUHF-60-480-60-D-EX-R0	AUHF-60-480-60-D-E0	1	0
		OF	
		1	