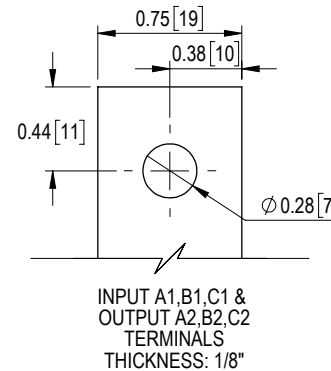
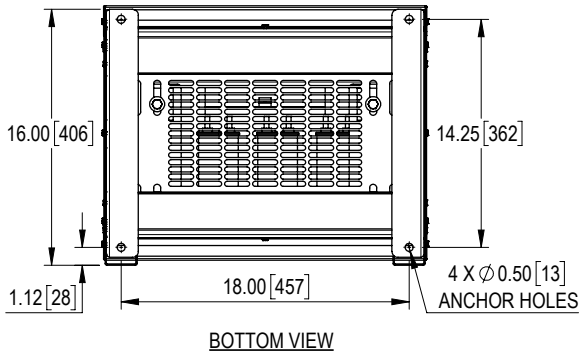
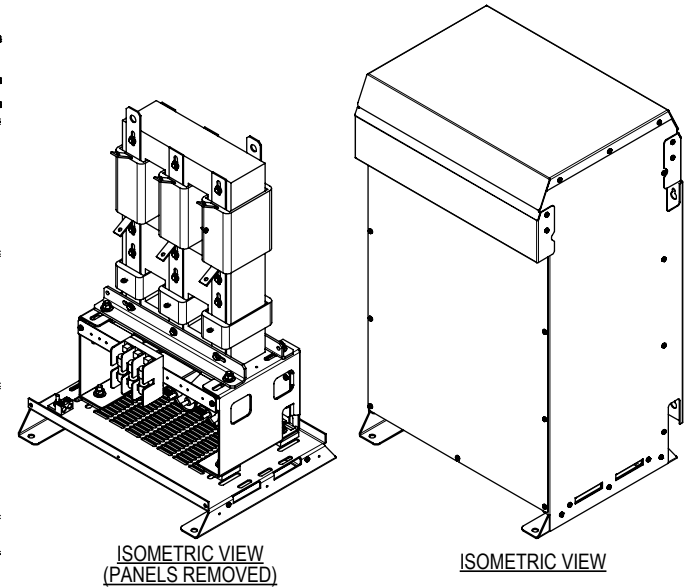
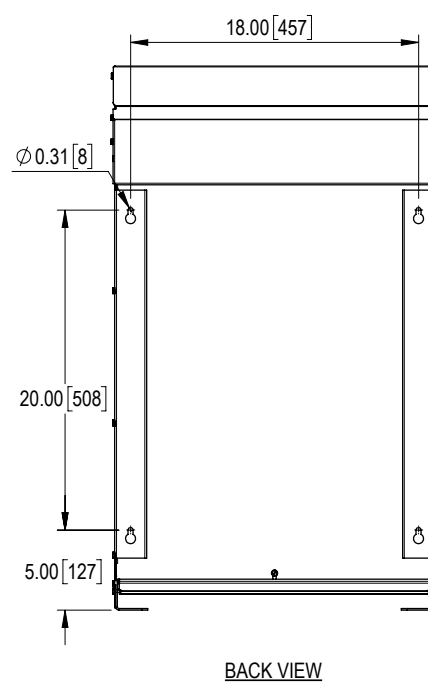
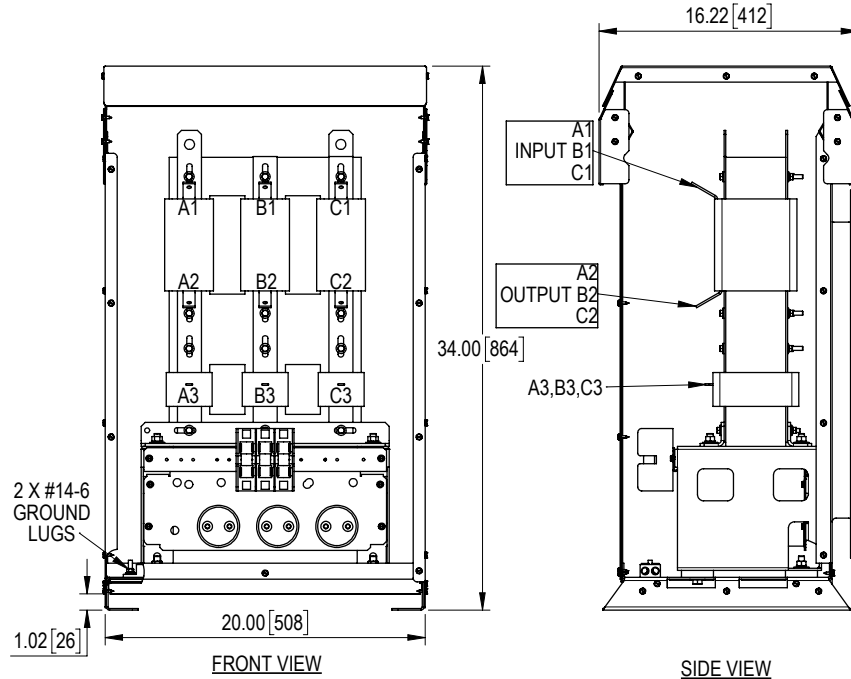
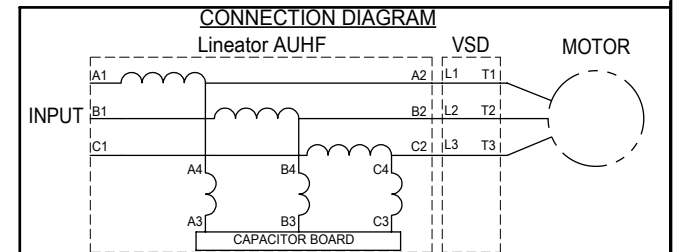


REV	DESCRIPTION	DATE	BY	APP



INPUT A1,B1,C1 &  
OUTPUT A2,B2,C2  
TERMINALS  
THICKNESS: 1/8"

- NOTES:  
1. CUSTOMER IS RESPONSIBLE FOR INSTALLATION TO MEET ALL NATIONAL AND LOCAL ELECTRICAL CODES AND OTHER APPLICABLE ELECTRICAL SAFETY AUTHORITIES.  
2. TYPE 3R ENHANCED ENCLOSURE REQUIRES ONLY FRONT ACCESS BUT MINIMUM 6" CLEARANCE SHOULD BE PROVIDED AT REAR FOR PROPER VENTILATION.



UNIT SPECIFICATIONS				INPUT AMPS	OUTPUT AMPS	OUTPUT kW	HEAT LOSS W	APPROX. WT lbs [kg]
HP [kW]	PHASE	VOLTS	Hz	69	73	51	545	270 [123]
60 [45]	3	480	60					



THE INFORMATION CONTAINED HEREIN IS THE SOLE PROPERTY OF MIRUS INTERNATIONAL INC. ANY FORM OF REPRODUCTION, DISTRIBUTION AND/OR DISCLOSURE OF THIS INFORMATION, ALL OR IN PART, IS STRICTLY PROHIBITED WITHOUT THE EXPRESS WRITTEN CONSENT OF MIRUS INTERNATIONAL INC.

DRAWN	APPROVED
CG	AH
SCALE	DATE
NTS	09-MAR-2023

**MIRUS**International Inc.  
31 Sun Pac Boulevard, Brampton Ontario Canada L6S 5P6  
1-888-TO MIRUS www.mirusinternational.com

TITLE  
60 HP, 480 V, 60 Hz  
LINEATOR AUHF, ENH ENCLOSED

ELEC FILE NO.	DRAWING NO.	SHT	REV
AUHF-60-480-60-D-EX-R0	AUHF-60-480-60-D-E1E	OF 1	1 0