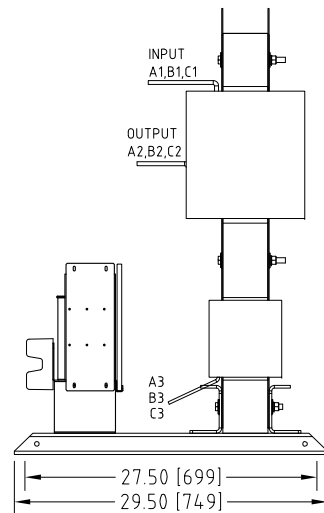
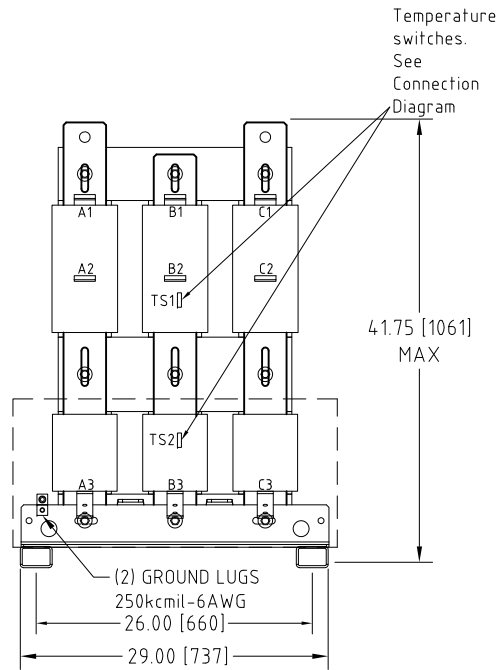
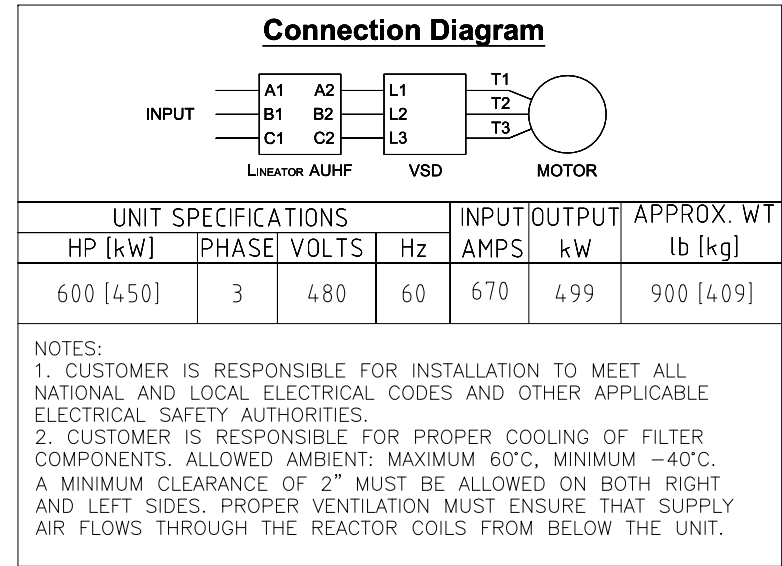
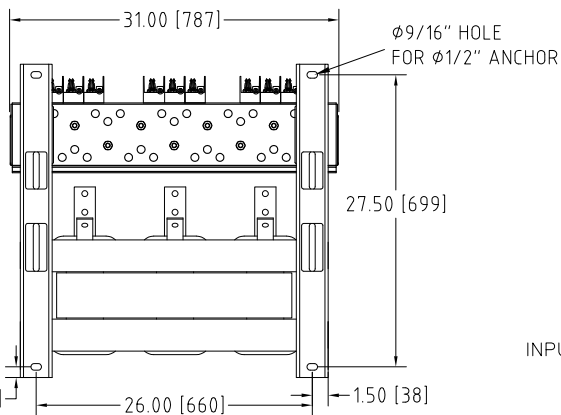


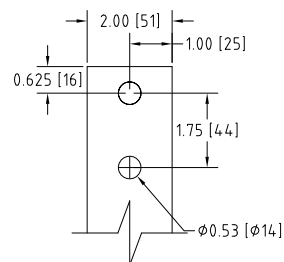
Rev. No.	Revision Note	Date	By	Checked
A13	REVISED REACTOR DESIGN	23-JUL-2020	CG	BDK
A14	REVISED BRACKET DESIGN	05-MAR-2021	CG	BDK



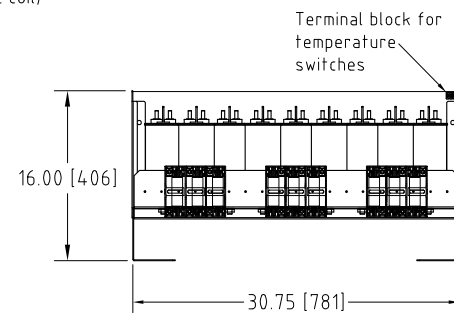
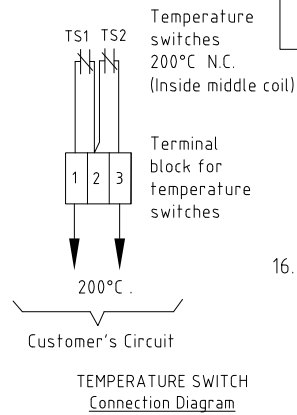
SIDE VIEW



BOTTOM VIEW



INPUT A1,B1,C1 & OUTPUT A2,B2,C2  
TERMINALS  
THICKNESS 3/8"



CAPACITOR BOARD

## MIRUS International Inc.

31 Sun Pac Boulevard, Brampton, ON, Canada L6S 5P6  
Tel: (905) 494-1120 Fax: (905) 494-1140 Toll Free: 1-888-TO MIRUS

Unless otherwise specified, dimensions are in inches and [mm].	Drawn By BW	Date Created 18-OCT-07	Checked by YM	Approved by - date YM-18-OCT-07	Scale NTS
The information contained herein is the sole property of MIRUS International Inc. Any form of reproduction, distribution and/or disclosure of this information, all or in part, is strictly prohibited without the express written consent of MIRUS International Inc.					Title 600 HP, 480 V, 60 Hz LINEATOR™ AUHF (Open Style)
File name AUHF-600-480-60-D-E0-A14			Revision A14	Sheet 1/1	