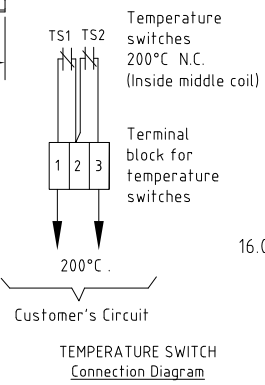
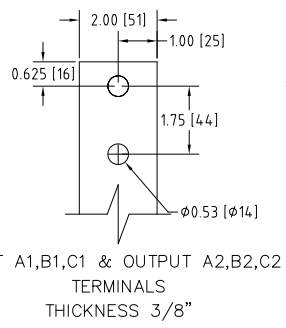
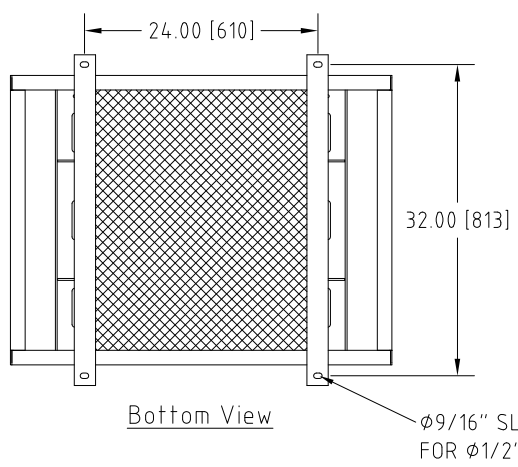
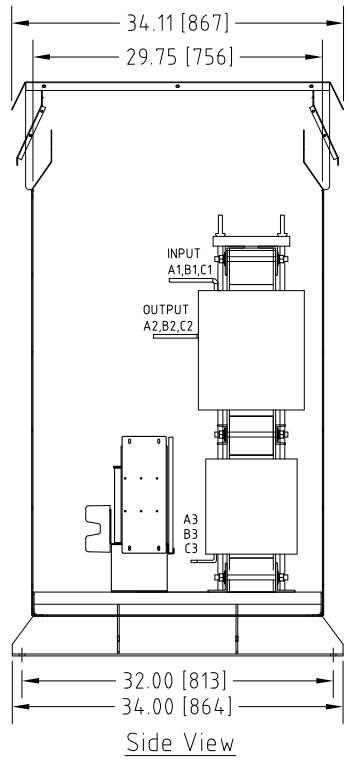
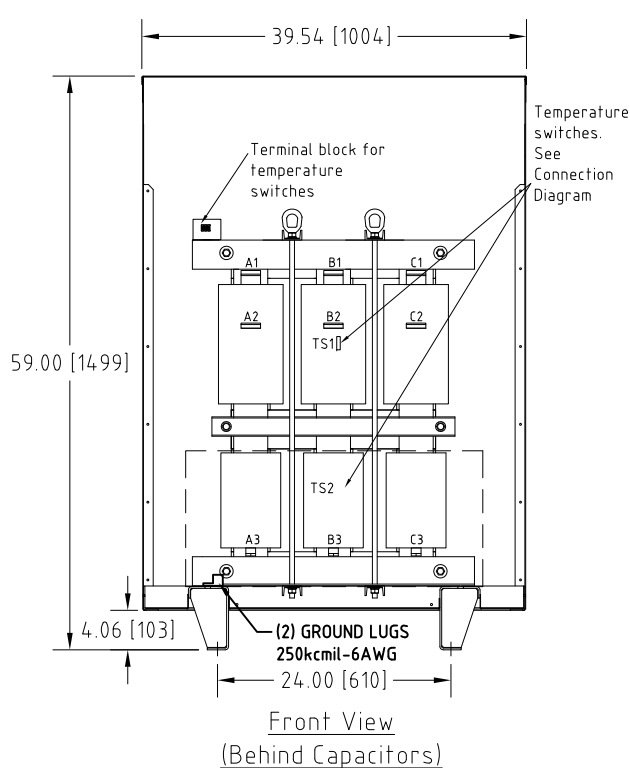


| Rev. No. | Revision Note | Date | By | Checked |
|----------|----------------------------|-------------|----|---------|
| A11 | Base mount Capacitor Board | 12-JAN-12 | YM | CG |
| A12 | UPDATED CAPACITOR BOARD | 27-MAR-2017 | CG | YM |

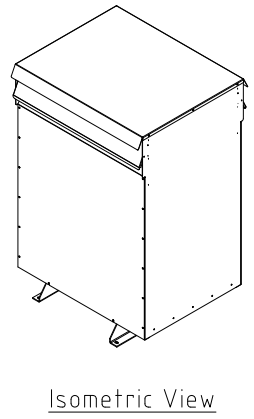
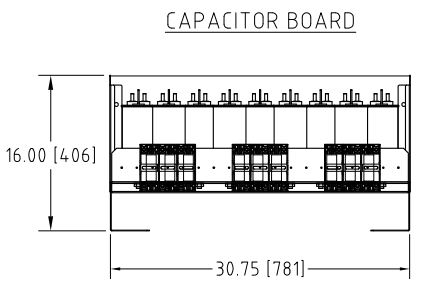


Connection Diagram

| UNIT SPECIFICATIONS | | | | INPUT | OUTPUT | APPROX. WT |
|---------------------|-------|-------|----|-------|--------|------------|
| HP [kW] | PHASE | VOLTS | Hz | AMPS | kW | lb [kg] |
| 600 [450] | 3 | 480 | 60 | 670 | 499 | 1398 [634] |

NOTES:

- Customer is responsible for installation to meet all national and local electrical codes and other applicable electrical safety authorities.
- Type 3R Enclosure requires only front access but minimum 6" clearance should be provided at rear for proper ventilation..



MIRUS International Inc. 31 Sun Pac Boulevard, Brampton, ON, Canada L6S 5P6
Tel: (905) 494-1120 Fax: (905) 494-1140 Toll Free: 1-888-TO MIRUS

| | | | | | |
|--|----------------|---------------------------|---|------------------------------------|--------------|
| Unless otherwise specified, dimensions are in inches and [mm]. | Drawn By BW | Date Created 18-OCT-07 | Checked by YM | Approved by - date YM-18-OCT-07 | Scale NTS |
| The information contained herein is the sole property of MIRUS International Inc. Any form of reproduction, distribution and/or disclosure of this information, all or in part, is strictly prohibited without the express written consent of MIRUS International Inc. | | | Title 600 HP, 480 V, 60 Hz LINEATOR™ AUHF (Type-3R) | | Sheet 1/1 |
| Filename AUHF-600-480-60-D-E1-A12 | | | Revision A12 | | |