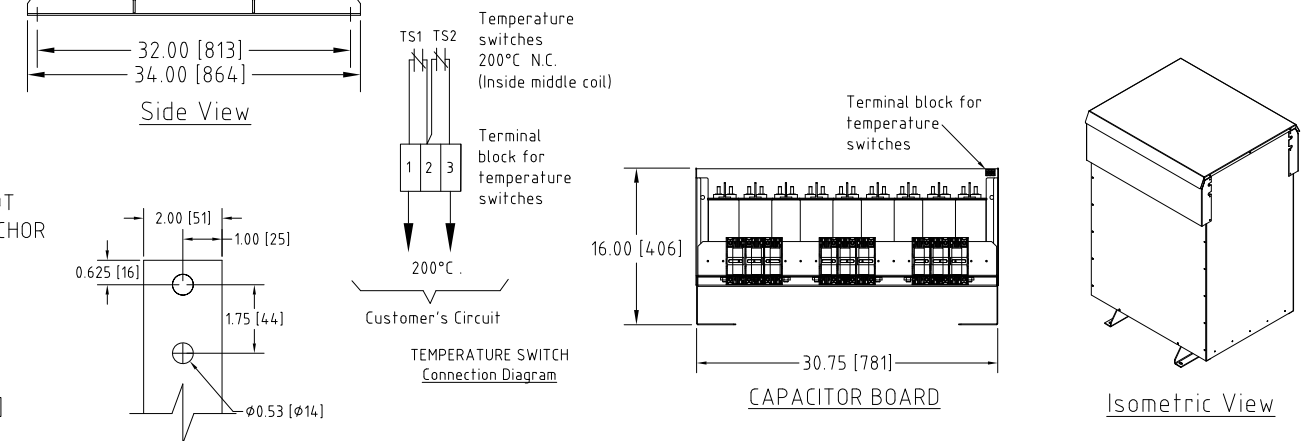


Rev. No.	Revision Note	Date	By	Checked
A13	REVISED REACTOR DESIGN	23-JUL-2020	CG	BDK
A14	REVISED BRACKET DESIGN	05-MAR-2021	CG	BDK

Connection Diagram

UNIT SPECIFICATIONS				INPUT	OUTPUT	APPROX. WT
HP [kW]	PHASE	VOLTS	Hz	AMPS	kW	lb [kg]
600 [450]	3	480	60	670	499	1250 [568]

NOTES:
 1. Customer is responsible for installation to meet all national and local electrical codes and other applicable electrical safety authorities.
 2. Type 3R Enhanced enclosure suitable for outdoor installation. Only front access is required but minimum 6" clearance should be provided at rear for proper ventilation.



INPUT A1,B1,C1 & OUTPUT A2,B2,C2 TERMINALS THICKNESS 3/8"

MIRUS International Inc.		31 Sun Pac Boulevard, Brampton, ON, Canada L6S 5P6 Tel: (905) 494-1120 Fax: (905) 494-1140 Toll Free: 1-888-TO MIRUS			
		Unless otherwise specified, dimensions are in inches and [mm].	Drawn By BW	Date Created 18-OCT-07	Checked by YM
The information contained herein is the sole property of MIRUS International Inc. Any form of reproduction, distribution and/or disclosure of this information, all or in part, is strictly prohibited without the express written consent of MIRUS International Inc.		Title 600 HP, 480 V, 60 Hz LINEATOR™ AUHF (Type-3R Enh.)			
		Filename AUHF-600-480-60-D-E1E-A14		Revision A14	Sheet 1/1