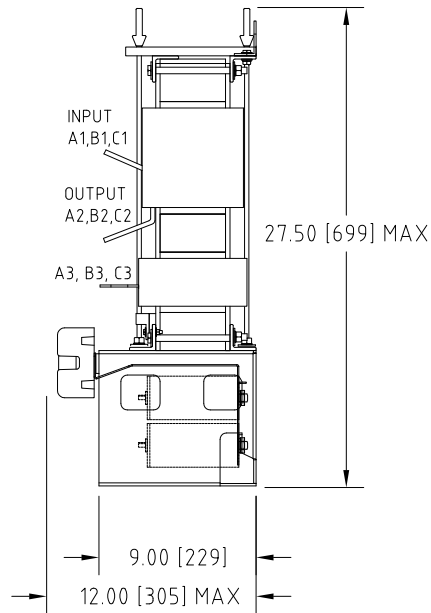
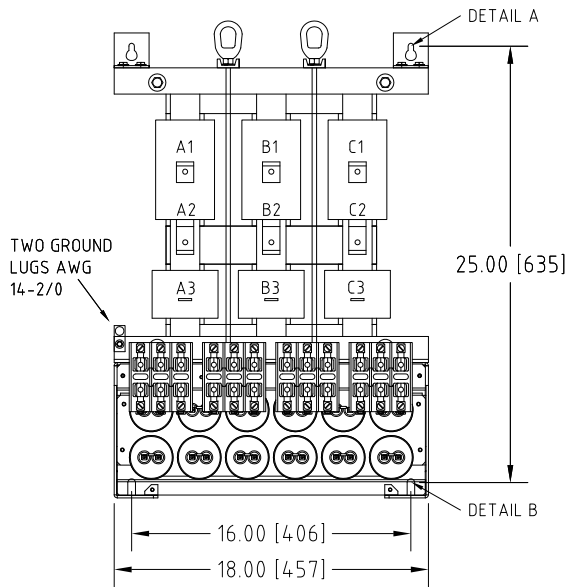


| Rev. No. | Revision Note | Date | By | Checked |
|----------|---------------|------|----|---------|
|          |               |      |    |         |

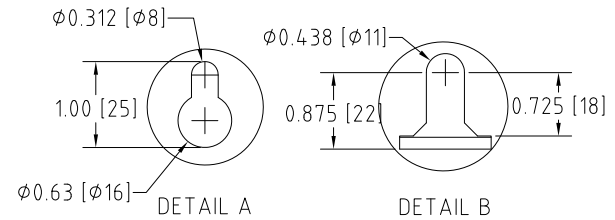
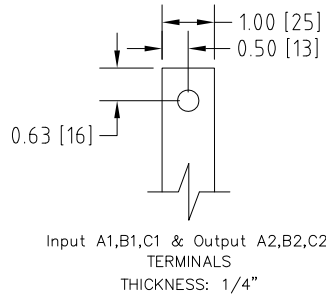
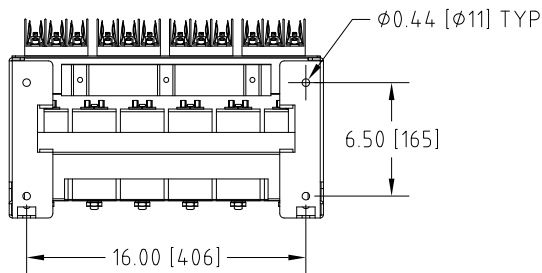


### Connection Diagram

| UNIT SPECIFICATIONS |       |       |    | INPUT | OUTPUT | APPROX. WT |
|---------------------|-------|-------|----|-------|--------|------------|
| HP [kW]             | PHASE | VOLTS | Hz | AMPS  | kW     | lb [kg]    |
| 75 [55]             | 3     | 208   | 60 | 196   | 63     | 260 [118]  |

NOTES:

- CUSTOMER IS RESPONSIBLE FOR INSTALLATION TO MEET ALL NATIONAL AND LOCAL ELECTRICAL CODES AND OTHER APPLICABLE ELECTRICAL SAFETY AUTHORITIES.
- CUSTOMER IS RESPONSIBLE FOR PROPER COOLING OF FILTER COMPONENTS. ALLOWED AMBIENT: MAXIMUM 60°C, MINIMUM -40°C. A MINIMUM CLEARANCE OF 2" MUST BE ALLOWED ON BOTH RIGHT AND LEFT SIDES. PROPER VENTILATION MUST ENSURE THAT SUPPLY AIR FLOWS THROUGH THE REACTOR COILS FROM BELOW THE UNIT.



|  |  |   |                |                          |                  |
|--|--|---|----------------|--------------------------|------------------|
| <b>MIRUS International Inc.</b>  |  | 31 Sun Pac Boulevard, Brampton, ON, Canada L6S 5P6<br>Tel: (905) 494-1120 Fax: (905) 494-1140 Toll Free: 1-888-TO MIRUS |                |                          |                  |
|  |  | Unless otherwise specified, dimensions are in inches and [mm].  | Drawn By<br>CW | Date Created<br>05-06-08 | Checked by<br>YM |
| The information contained herein is the sole property of MIRUS International Inc. Any form of reproduction, distribution and/or disclosure of this information, all or in part, is strictly prohibited without the express written consent of MIRUS International Inc. |  | Title<br><b>75 HP, 208 V, 60 HZ<br/>LINEATOR™ AUHF (Open Style)</b>   |                |                          |                  |
|  |  | Filename<br>AUHF-75-208-60-D-E0P-A0   | Revision<br>A0 | Sheet<br>1/1             |                  |