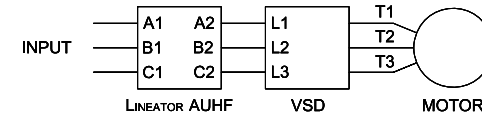


Rev. No.	Revision Note	Date	By	Checked
A1	REVISED BUSBAR DETAIL	AUG 7, 2019	BDK	AH
A2	REVISED BRACKET DESIGN	27-APR-2021	CG	BDK

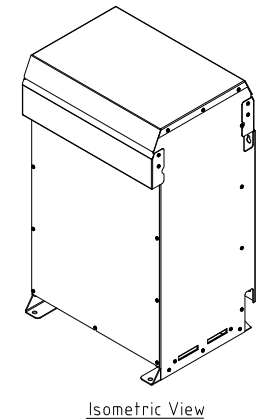
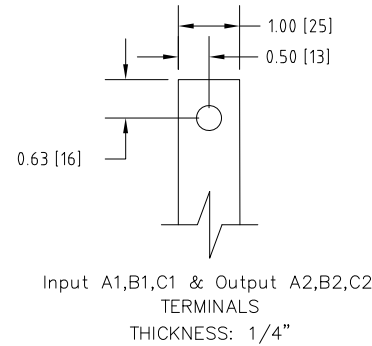
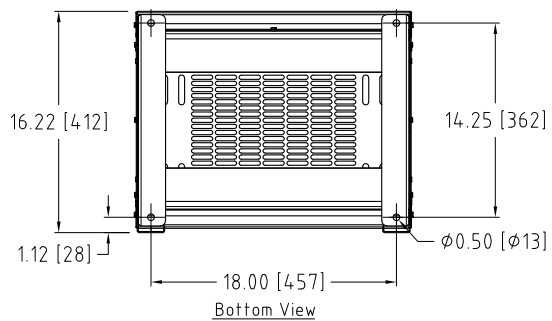
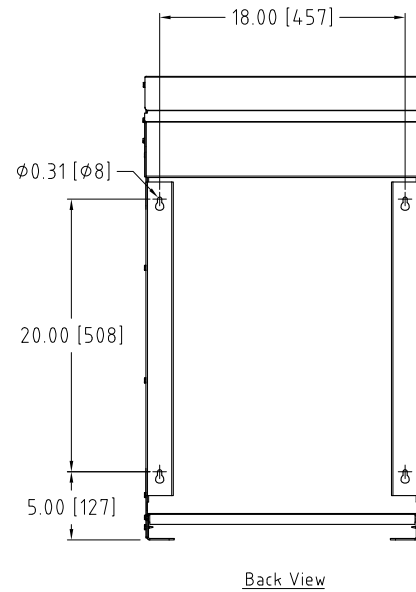
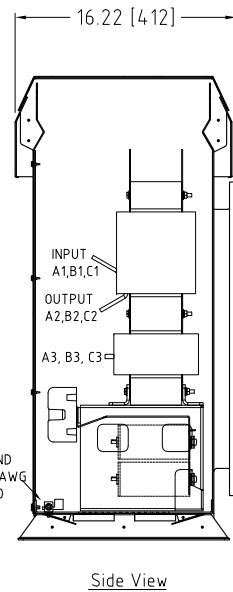
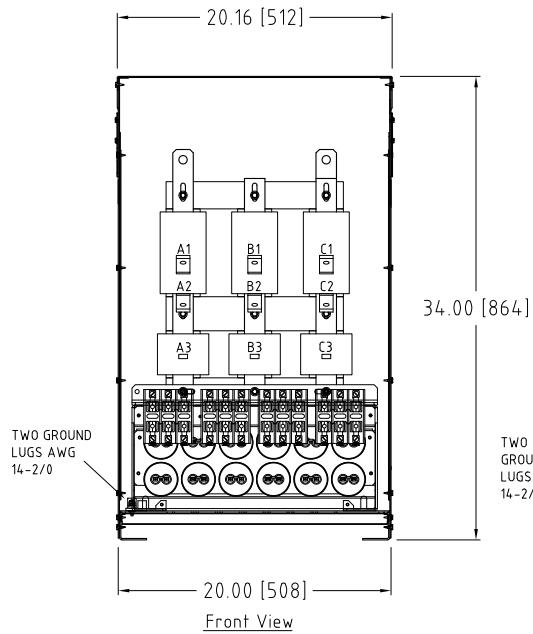
### Connection Diagram



UNIT SPECIFICATIONS				INPUT	OUTPUT	APPROX. WT
HP [kW]	PHASE	VOLTS	Hz	AMPS	kW	lb [kg]
75 [55]	3	208	60	196	63	320 [145]

#### NOTES:

- Customer is responsible for installation to meet all national and local electrical codes and other applicable electrical safety authorities.
- Type 3R Enhanced enclosure suitable for outdoor installation.
- Only front access is required but when floor mounting a minimum of 6" clearance should be provided at rear for proper ventilation.



**MIRUS International Inc.** 31 Sun Pac Boulevard, Brampton, ON, Canada L6S 5P6  
Tel: (905) 494-1120 Fax: (905) 494-1140 Toll Free: 1-888-TO MIRUS

Unless otherwise specified, dimensions are in inches and [mm].	Drawn By YM	Date Created 05-MAY-2016	Checked by AH	Approved by - date AH - 06-MAY-2016	Scale NTS
The information contained herein is the sole property of MIRUS International Inc. Any form of reproduction, distribution and/or disclosure of this information, all or in part, is strictly prohibited without the express written consent of MIRUS International Inc.			Title 75 HP, 208 V, 60 HZ LINEATOR™ AUHF (Type-3R Enh.)		
			Filename AUHF-75-208-60-D-E1E-A2	Revision A2	Sheet 1/1