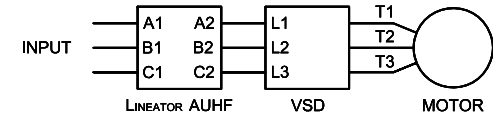


Rev. No.	Revision Note	Date	By	Checked
A17	NEW DESIGN 0012	16-APR-15	YM	CG
A18	CHANGED TO PRESSURE PLATE STYLE	28-MAR-2018	CG	BDK

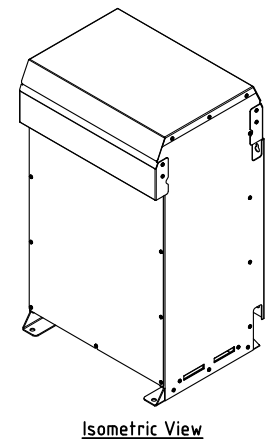
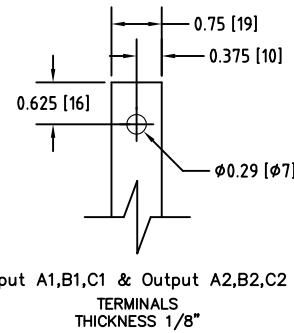
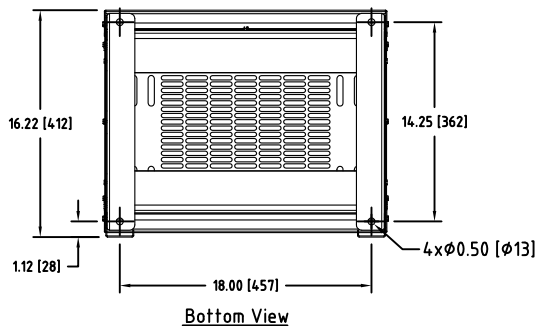
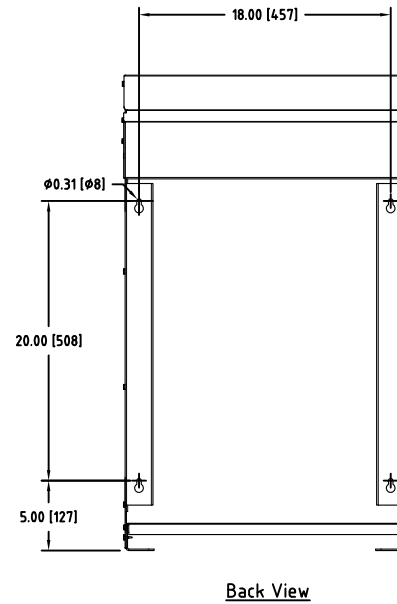
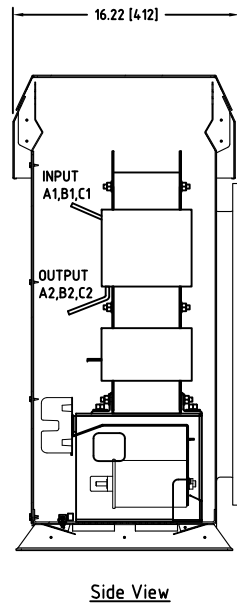
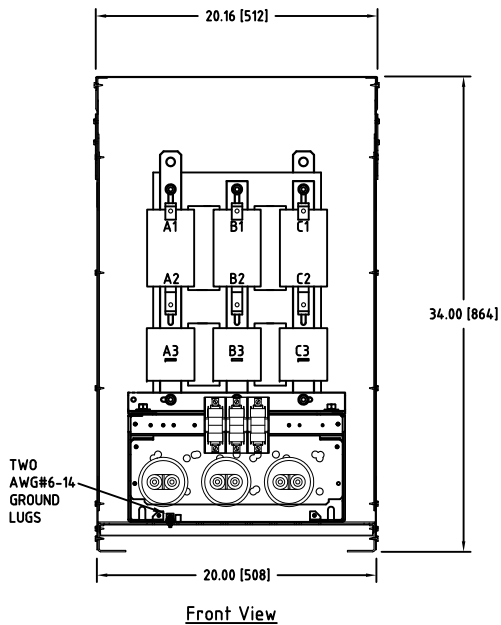
### Connection Diagram



UNIT SPECIFICATIONS				INPUT	OUTPUT	APPROX. WT
HP [kW]	PHASE	VOLTS	Hz	AMPS	kW	lb [kg]
75 [55]	3	480	60	85	63	314 [112]

#### NOTES:

- Customer is responsible for installation to meet all national and local electrical codes and other applicable electrical safety authorities.
- Type 3R Enhanced enclosure suitable for outdoor installation. Only front access is required but minimum 6" clearance should be provided at rear for proper ventilation.



<b>MIRUS International Inc.</b>		31 Sun Pac Boulevard, Brampton, ON, Canada L6S 5P6 Tel:(905) 494-1120 Fax: (905) 494-1140 Toll Free: 1-888-TO MIRUS			
Unless otherwise specified, dimensions are in inches and [mm].	Drawn By EH	Date Created 02-Jun-06	Checked by YM	Approved by - date YM-02-Jun-06	Scale NTS
The information contained herein is the sole property of MIRUS International Inc. Any form of reproduction, distribution and/or disclosure of this information, all or in part, is strictly prohibited without the express written consent of MIRUS International Inc.		Title 75 HP, 480 V, 60 Hz LINEATOR™ AUHF (Type-3R Enh.)			
		Filename AUHF-75-480-60-D-E1E-A18	Revision A18	Sheet 1/1	