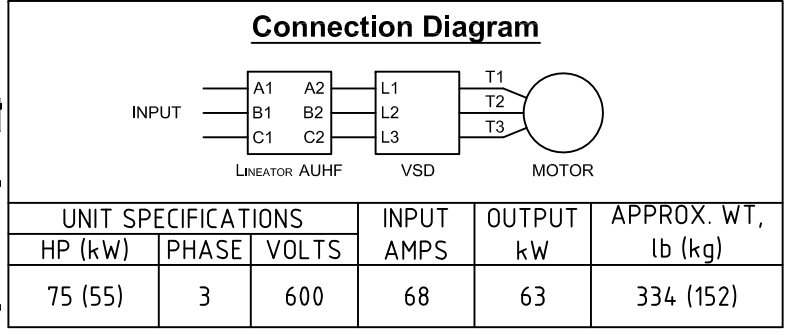
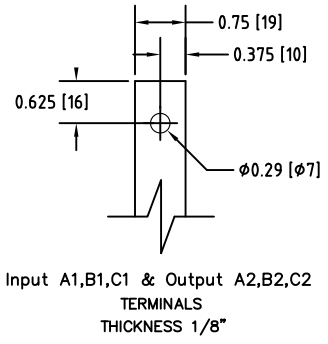
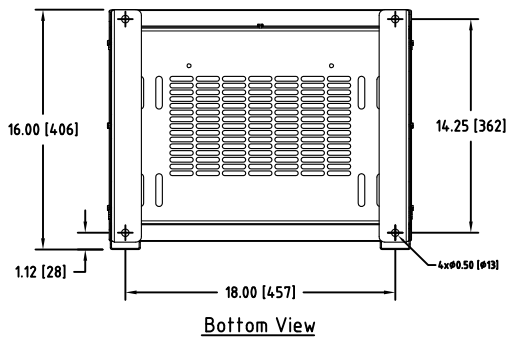
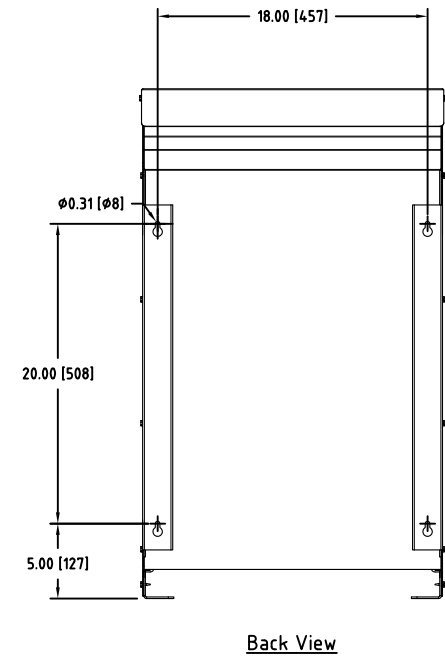
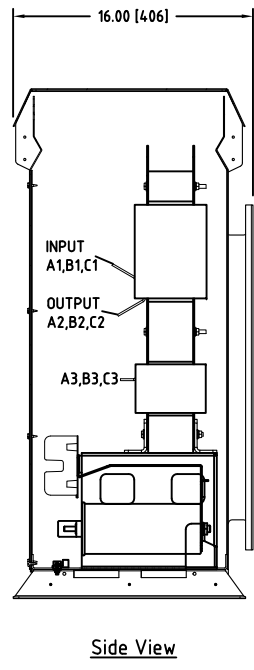
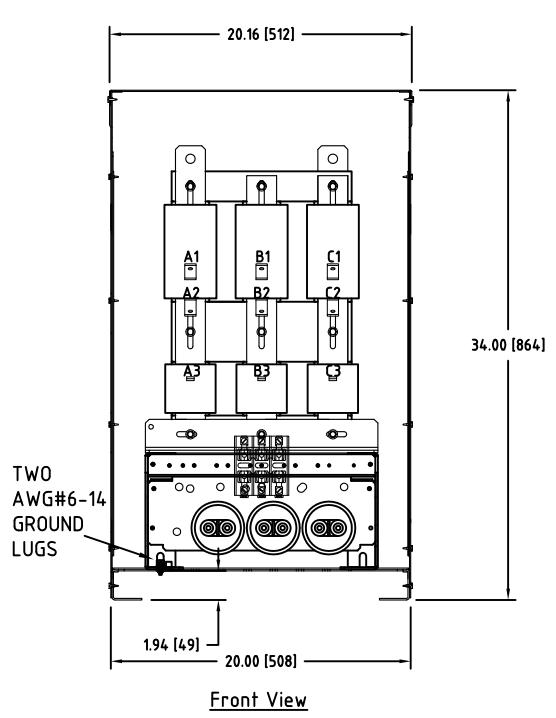


Rev. No.	Revision Note	Date	By	Checked
A11	Capacitors Revised	24-FEB-15	AH	YM
A12	REVISED REACTOR DESIGN	03-JUL-2018	CG	AH



**NOTES:**

- Customer is responsible for installation to meet all national and local electrical codes and other applicable electrical safety authorities.
- Type 3R Enclosure requires only front access but minimum 6" clearance should be provided at rear for proper ventilation.

<b>MIRUS International Inc.</b>		31 Sun Pac Boulevard, Brampton, ON, Canada L6S 5P6 Tel: (905) 494-1120 Fax: (905) 494-1140 Toll Free: 1-888-TO MIRUS			
Unless otherwise specified, dimensions are in inches and [mm].	Drawn by BW	Date 04-SEP-07	Checked by CG	Approved by - date CG - 03-JUL-2018	Scale NTS
The information contained herein is the sole property of MIRUS International Inc. Any form of reproduction, distribution and/or disclosure of this information, all or in part, is strictly prohibited without the express written consent of MIRUS International Inc.		Title <b>75 HP, 600V, 60Hz Enclosure Style Lineator AUHF</b>			
		Filename AUHF-75-600-60-D-E1-A12		Revision A12	Sheet 1/1