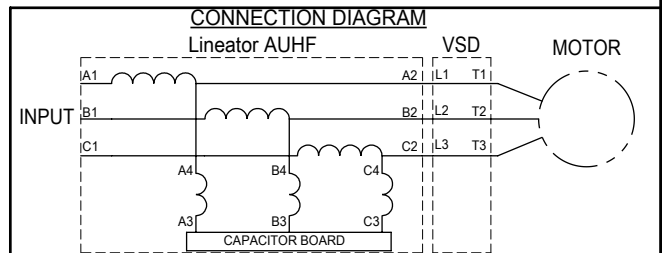
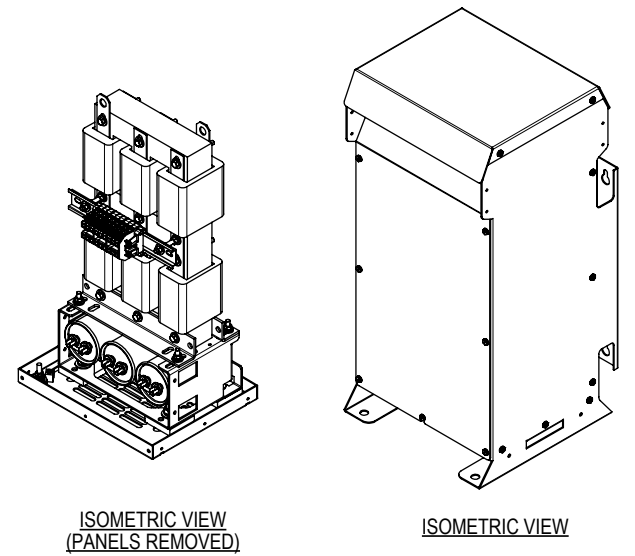


REV	DESCRIPTION	DATE	BY	APP



UNIT SPECIFICATIONS				INPUT	OUTPUT	OUTPUT	HEAT LOSS	APPROX. WT
HP [kW]	PHASE	VOLTS	Hz	AMPS	AMPS	kW	W	lbs [kg]
7.5 [5.5]	3	480	60	9	10	6.3	83	70 [32]
10 [7.5]				12	13	8.5	112	80 [36]
15 [11]				17	18	13	171	85 [39]

THE INFORMATION CONTAINED HEREIN IS THE SOLE PROPERTY OF MIRUS INTERNATIONAL INC. ANY FORM OF REPRODUCTION, DISTRIBUTION AND/OR DISCLOSURE OF THIS INFORMATION, ALL OR IN PART, IS STRICTLY PROHIBITED WITHOUT THE EXPRESS WRITTEN CONSENT OF MIRUS INTERNATIONAL INC.

MIRUS International Inc.
 31 Sun Pac Boulevard, Brampton Ontario Canada L6S 5P6
 1-888-TO MIRUS www.mirusinternational.com

DRAWN CG		APPROVED BDK		TITLE 7.5 to 15 HP, 480 V, 60Hz LINEATOR AUHF, ENCLOSED	
SCALE NTS		DATE 14-OCT-2022		ELEC FILE NO. AUHF-7to15-480-60-D-EX-R0	
DRAWING NO. AUHF-7to15-480-60-D-E1		SHT OF 1		REV 1 0	

NOTES:
 1. CUSTOMER IS RESPONSIBLE FOR INSTALLATION TO MEET ALL NATIONAL AND LOCAL ELECTRICAL CODES AND OTHER APPLICABLE ELECTRICAL SAFETY AUTHORITIES.
 2. TYPE 3R ENCLOSURE REQUIRES ONLY FRONT ACCESS BUT MINIMUM 6" CLEARANCE SHOULD BE PROVIDED AT REAR FOR PROPER VENTILATION.