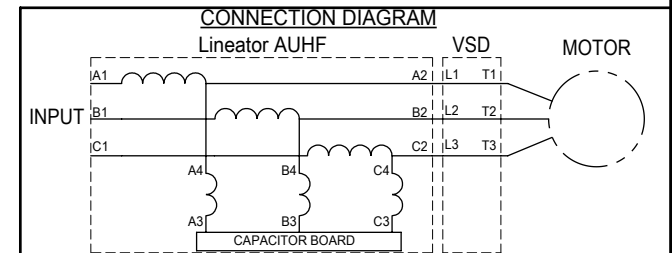
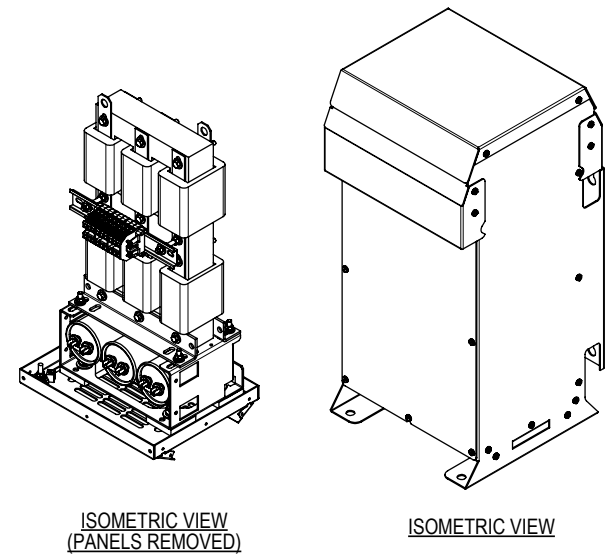


REV	DESCRIPTION	DATE	BY	APP



UNIT SPECIFICATIONS				INPUT	OUTPUT	OUTPUT	HEAT LOSS	APPROX. WT
HP [kW]	PHASE	VOLTS	Hz	AMPS	AMPS	kW	W	lbs [kg]
7.5 [5.5]	3	480	60	9	10	6.3	83	75 [34]
10 [7.5]				12	13	8.5	112	85 [39]
15 [11]				17	18	13	171	90 [41]

THE INFORMATION CONTAINED HEREIN IS THE SOLE PROPERTY OF MIRUS INTERNATIONAL INC. ANY FORM OF REPRODUCTION, DISTRIBUTION AND/OR DISCLOSURE OF THIS INFORMATION, ALL OR IN PART, IS STRICTLY PROHIBITED WITHOUT THE EXPRESS WRITTEN CONSENT OF MIRUS INTERNATIONAL INC.

MIRUS International Inc.
 31 Sun Pac Boulevard, Brampton Ontario Canada L6S 5P6
 1-888-TO MIRUS www.mirusinternational.com

TITLE

7.5 to 15 HP, 480 V, 60Hz
 LINEATOR AUHF, ENH ENCLOSED

ELEC FILE NO. AUHF-7to15-480-60-D-EX-R0	DRAWING NO. AUHF-7to15-480-60-D-E1E	SHT OF	REV
		1	0

NOTES:

- CUSTOMER IS RESPONSIBLE FOR INSTALLATION TO MEET ALL NATIONAL AND LOCAL ELECTRICAL CODES AND OTHER APPLICABLE ELECTRICAL SAFETY AUTHORITIES.
- TYPE 3R ENHANCED ENCLOSURE REQUIRES ONLY FRONT ACCESS BUT MINIMUM 6" CLEARANCE SHOULD BE PROVIDED AT REAR FOR PROPER VENTILATION.