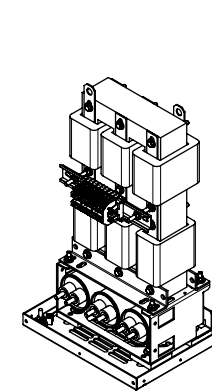
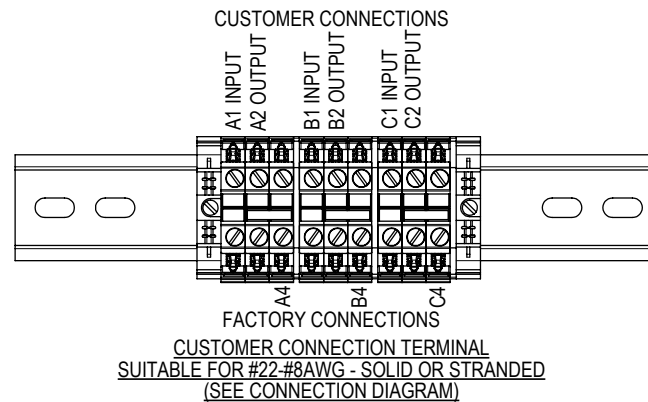
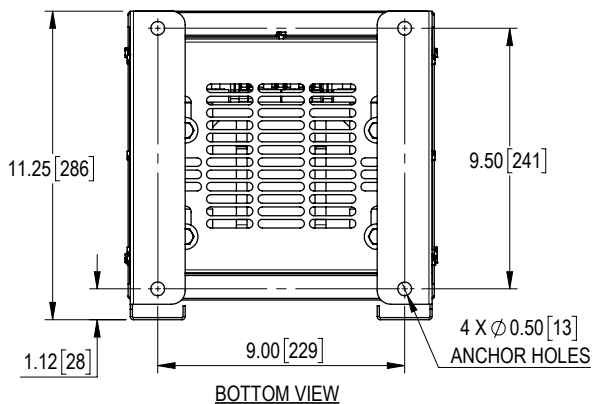
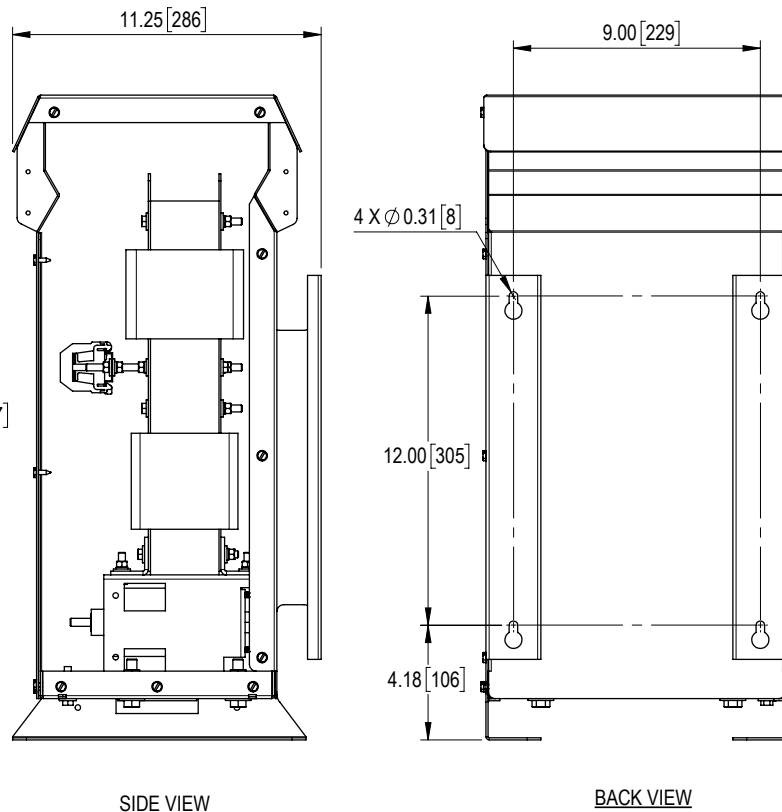
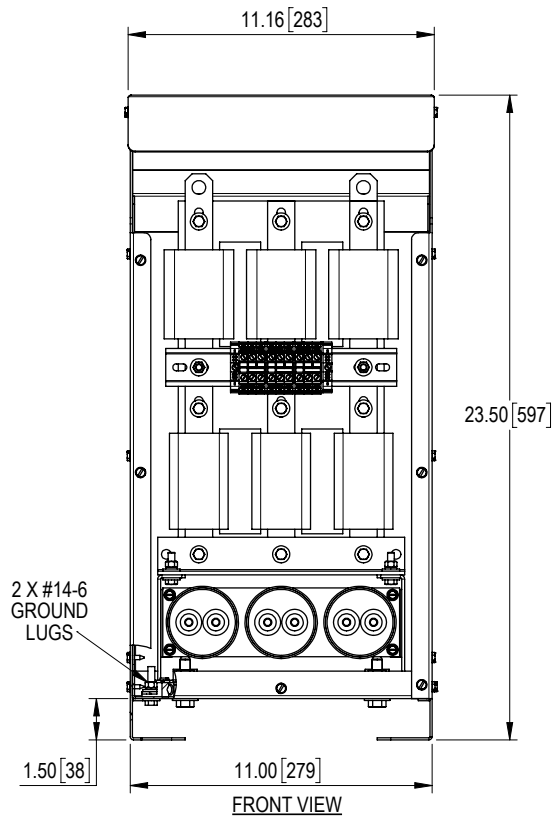
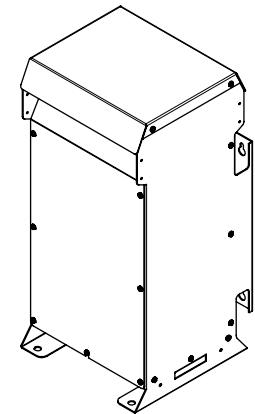


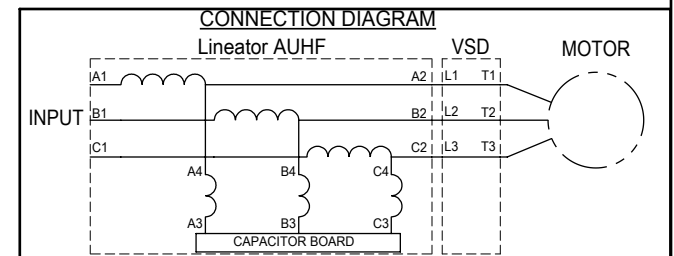
REV	DESCRIPTION	DATE	BY	APP
1	REVISED TERMINAL BLOCK	14-JUN-2022	CG	AH



ISOMETRIC VIEW
(PANELS REMOVED)



ISOMETRIC VIEW



UNIT SPECIFICATIONS				INPUT	OUTPUT	OUTPUT	HEAT LOSS	APPROX. WT
HP [kW]	PHASE	VOLTS	Hz	AMPS	AMPS	kW	W	lbs [kg]
7.5 [5.5]	3	600	60	7	7	6.3	83	70 [32]
10 [7.5]				10	11	8.5	112	80 [36]
15 [11]				14	15	13	171	85 [39]
20 [15]				18	19	17	224	95 [43]



THE INFORMATION CONTAINED HEREIN IS THE SOLE PROPERTY OF MIRUS INTERNATIONAL INC. ANY FORM OF REPRODUCTION, DISTRIBUTION AND/OR DISCLOSURE OF THIS INFORMATION, ALL OR IN PART, IS STRICTLY PROHIBITED WITHOUT THE EXPRESS WRITTEN CONSENT OF MIRUS INTERNATIONAL INC.

DRAWN CG
SCALE NTS

APPROVED BDK
DATE 21-DEC-2021

MIRUSInternational Inc.
31 Sun Pac Boulevard, Brampton Ontario Canada L6S 5P6
1-888-TO MIRUS www.mirusinternational.com

TITLE

7 to 20 HP, 600 V, 60Hz
LINEATOR AUHF, ENCLOSED

ELEC FILE NO. AUHF-7to20-600-60-D-EX-R1	DRAWING NO. AUHF-7to20-600-60-D-E1	SHT OF 1 1	REV 1 1
--	---------------------------------------	---------------	------------

- NOTES:
- CUSTOMER IS RESPONSIBLE FOR INSTALLATION TO MEET ALL NATIONAL AND LOCAL ELECTRICAL CODES AND OTHER APPLICABLE ELECTRICAL SAFETY AUTHORITIES.
 - TYPE 3R ENCLOSURE REQUIRES ONLY FRONT ACCESS BUT MINIMUM 6" CLEARANCE SHOULD BE PROVIDED AT REAR FOR PROPER VENTILATION.