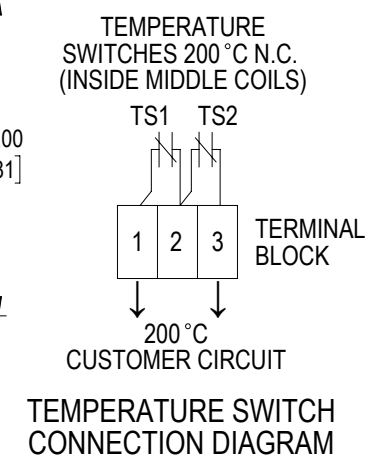
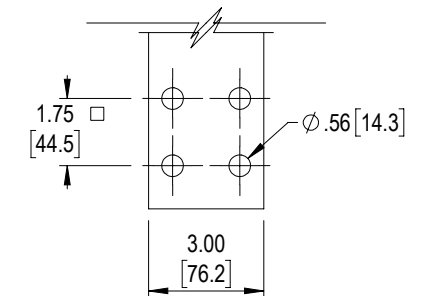
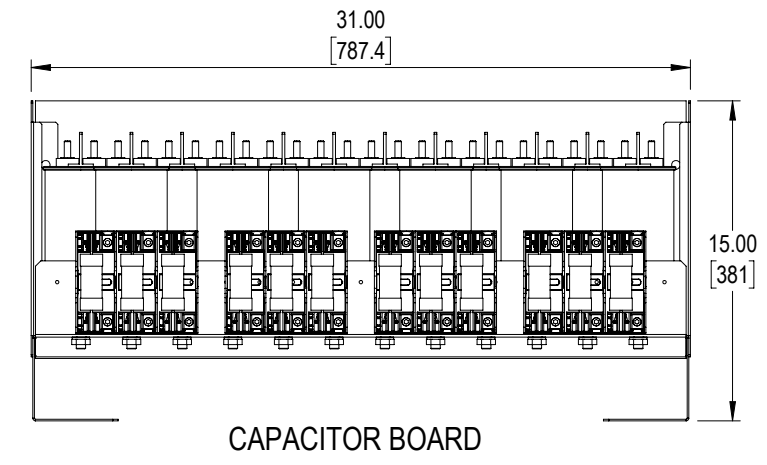
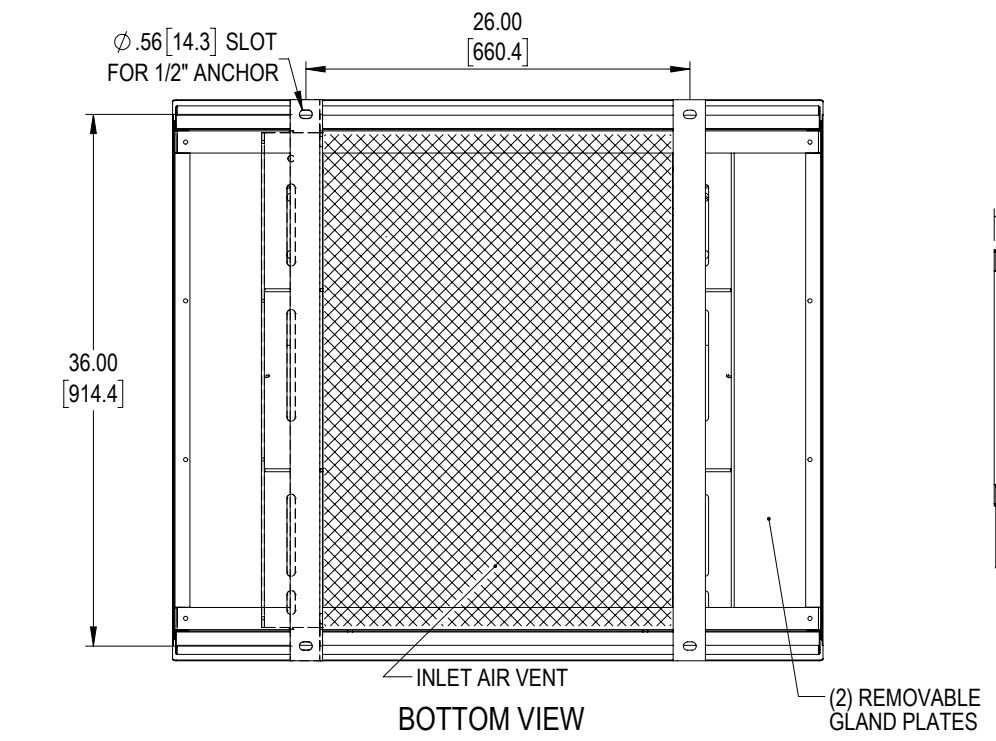
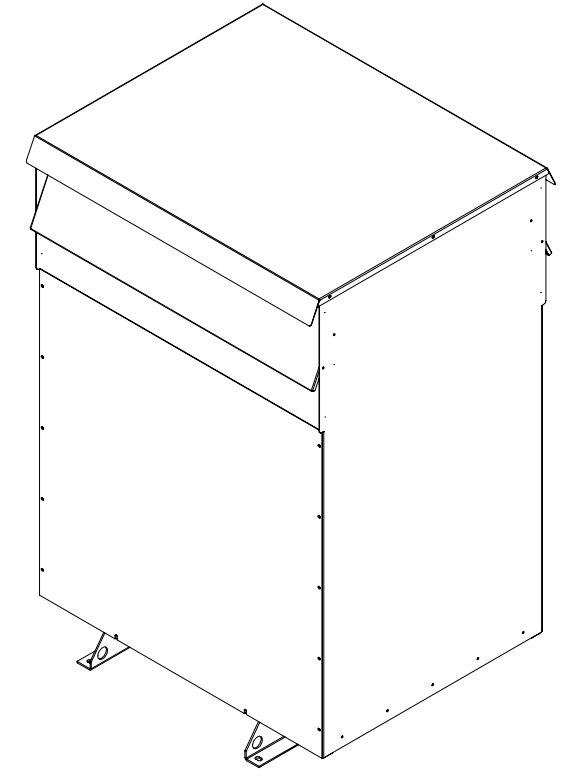
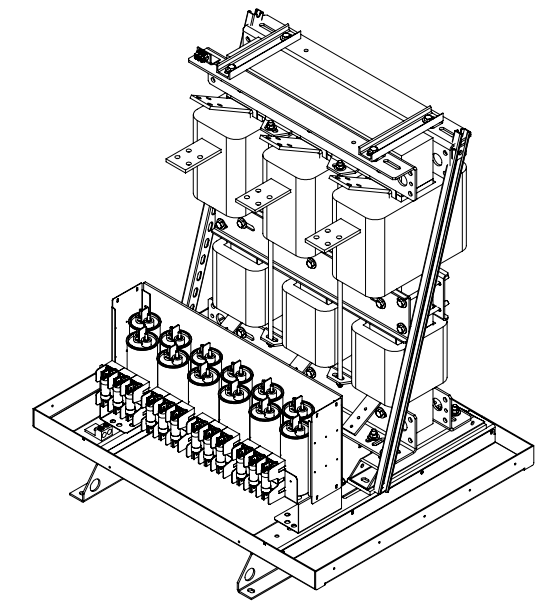
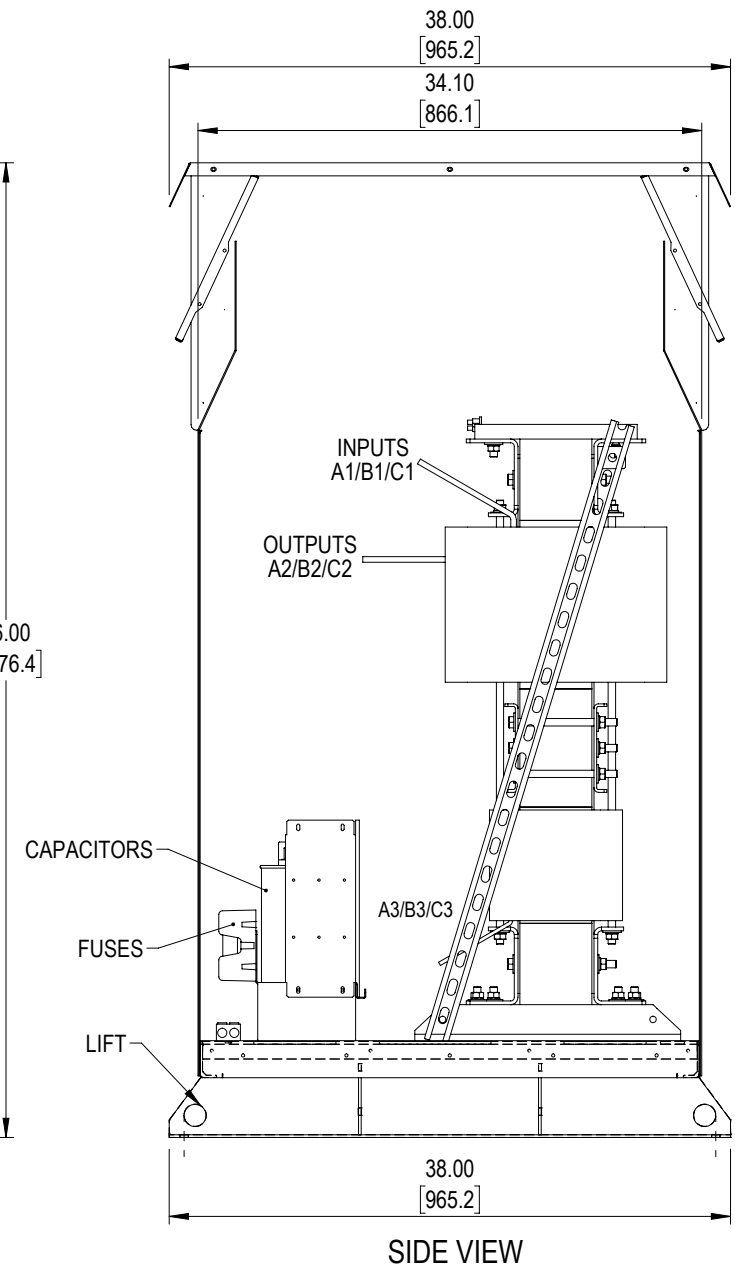
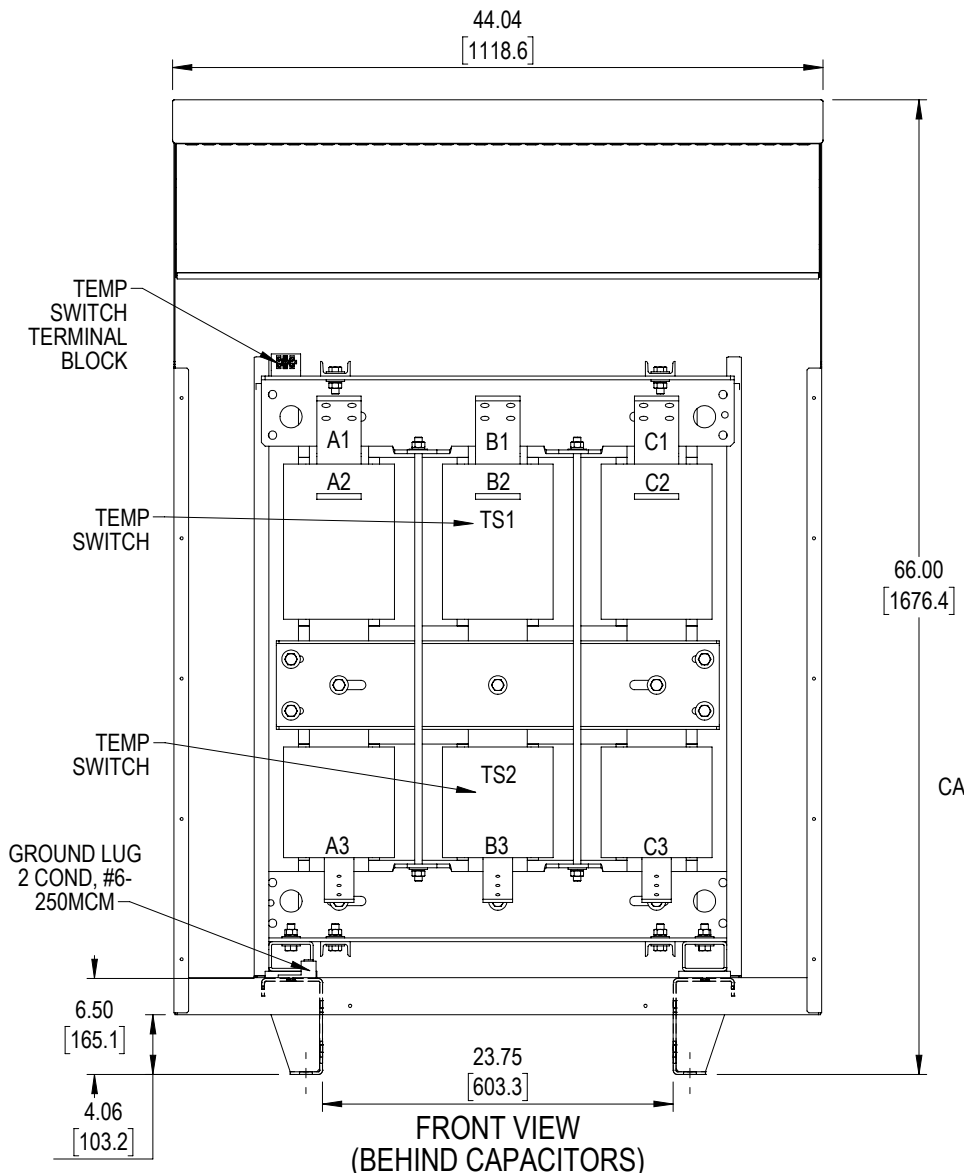


REV	DESCRIPTION	DATE	BY	APP



NOTES:
 (1) CUSTOMER IS RESPONSIBLE FOR INSTALLATION TO MEET ALL NATIONAL AND LOCAL ELECTRICAL CODES AND OTHER APPLICABLE ELECTRICAL SAFETY AUTHORITIES.
 (2) REQUIRES ONLY FRONT ACCESS BUT MINIMAL 6" CLEARANCE SHOULD BE PROVIDED AT REAR FOR PROPER VENTILATION.

UNIT SPECIFICATIONS				INPUT AMPS	OUTPUT kW	APPROX. WT lb [kg]
HP [kW]	PHASE	VOLTS	Hz	990	736	2300 [1050]
900 [630]	3	480	60			
				THE INFORMATION CONTAINED HEREIN IS THE SOLE PROPERTY OF MIRUS INTERNATIONAL INC. ANY FORM OF REPRODUCTION, DISTRIBUTION AND/OR DISCLOSURE OF THIS INFORMATION, ALL OR IN PART, IS STRICTLY PROHIBITED WITHOUT THE EXPRESS WRITTEN CONSENT OF MIRUS INTERNATIONAL INC.		
DRAWN	CG	APPROVED	BDK	MIRUS International Inc.		
SCALE	NTS	DATE	12-AUG-2022			
JOB FILE NO.	N/A			TITLE		
PART NO. AUHF-900-480-60-D-E1				900HP, 480V, 60Hz LINEATOR AUHF (TYPE-3R)		
ELEC FILE NO. AUHF-900-480-60-D-E1-R0				DRAWING NO. AUHF-900-480-60-D-E1		
				SHT 1 OF 1	REV R0	