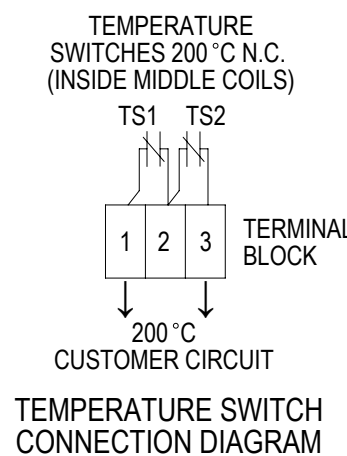
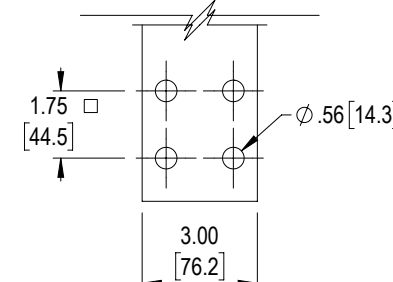
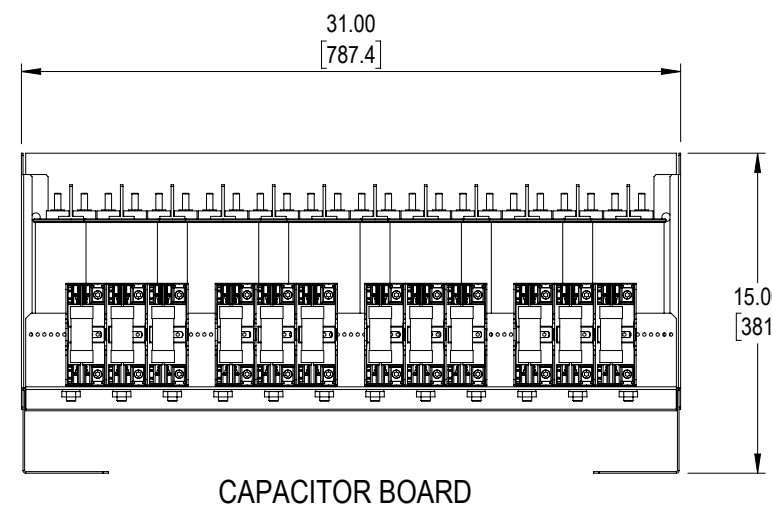
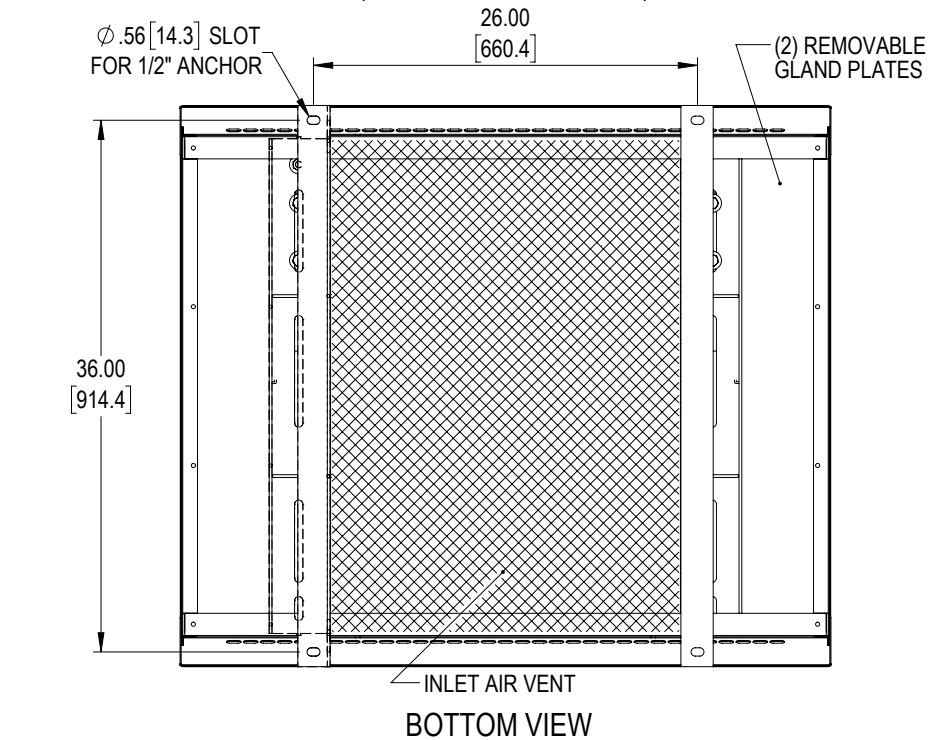
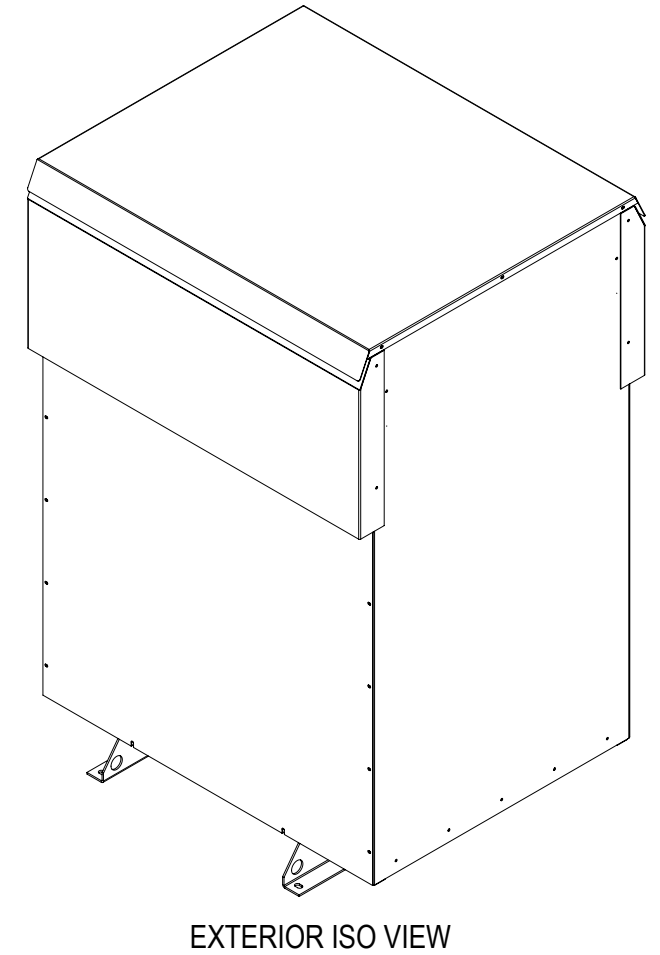
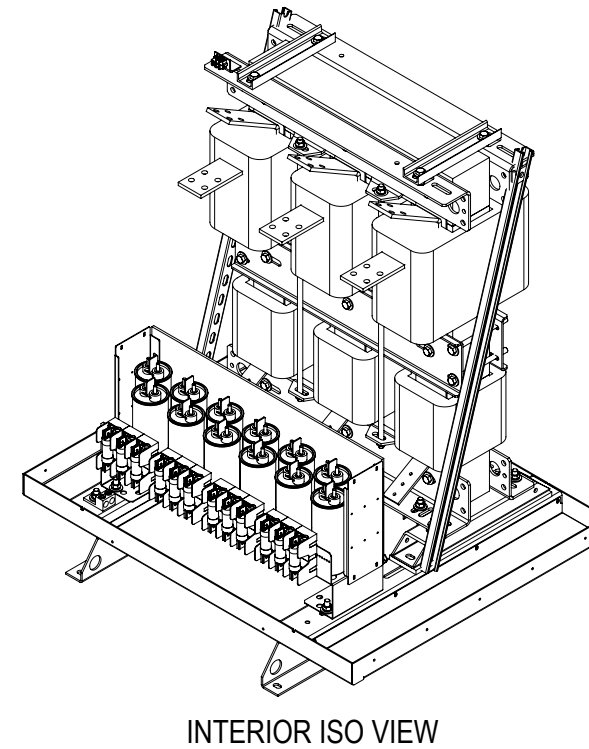
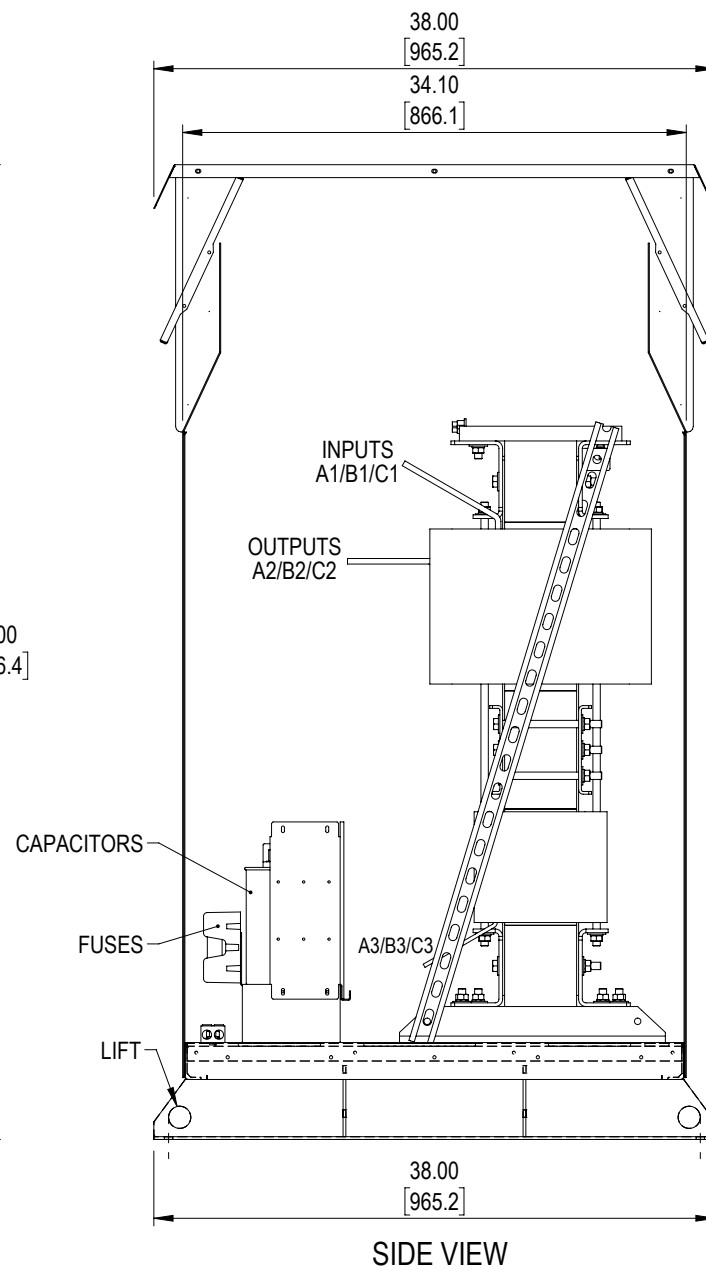
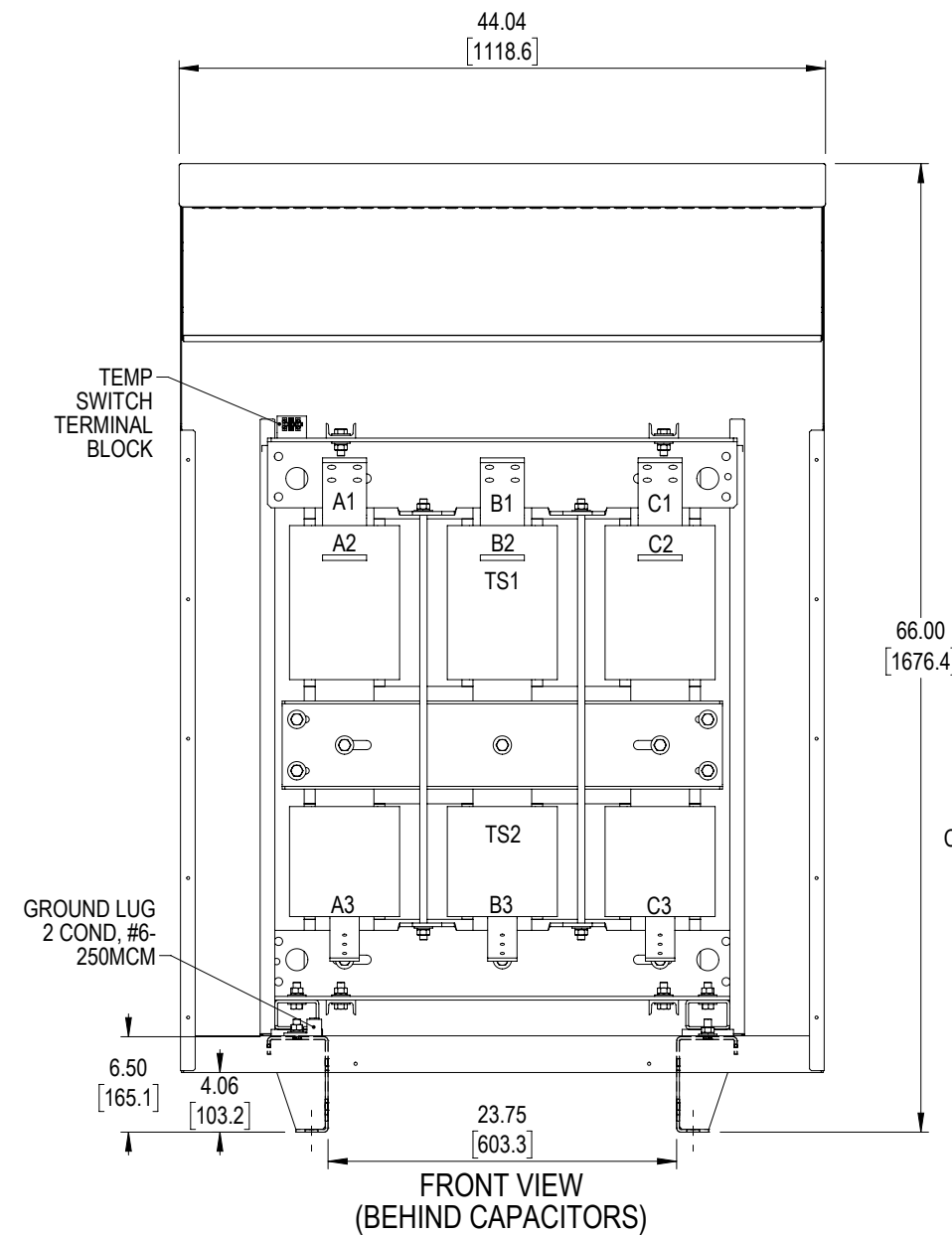


REV	DESCRIPTION	DATE	BY	APP



- NOTES:
- (1) CUSTOMER IS RESPONSIBLE FOR INSTALLATION TO MEET ALL NATIONAL AND LOCAL ELECTRICAL CODES AND OTHER APPLICABLE ELECTRICAL SAFETY AUTHORITIES.
  - (2) REQUIRES ONLY FRONT ACCESS BUT MINIMAL 6" CLEARANCE SHOULD BE PROVIDED AT REAR FOR PROPER VENTILATION.

UNIT SPECIFICATIONS				INPUT AMPS	OUTPUT kW	APPROX. WT lb [kg]
HP [kW]	PHASE	VOLTS	Hz	990	736	2500 [1150]
900 [630]	3	480	60			

<p>Lineator AUHF    VSD    MOTOR</p>	<p>THE INFORMATION CONTAINED HEREIN IS THE SOLE PROPERTY OF MIRUS INTERNATIONAL INC. ANY FORM OF REPRODUCTION, DISTRIBUTION AND/OR DISCLOSURE OF THIS INFORMATION, ALL OR IN PART, IS STRICTLY PROHIBITED WITHOUT THE EXPRESS WRITTEN CONSENT OF MIRUS INTERNATIONAL INC.</p>
<p>DRAWN: BDK</p> <p>SCALE: NTS</p> <p>JOB FILE NO.:</p> <p>PART NO. AUHF-900-480-60-D-E1E</p> <p>ELEC FILE NO. AUHF-900-480-60-D-E1E-R0</p>	<p>APPROVED: AH</p> <p>DATE: 12-AUG-2022</p> <p>TITLE: 900HP, 480V, 60Hz LINEATOR AUHF (TYPE-3R) ENHANCED</p> <p>DRAWING NO. AUHF-900-480-60-D-E1E</p>

SHT 1 OF 1    REV 0